

Article datasheet

Hose Clamp with Worm Gear Drive Ø50.0-70.0 | A4 Plain Stainless Steel

Article-No.: 014.50.070



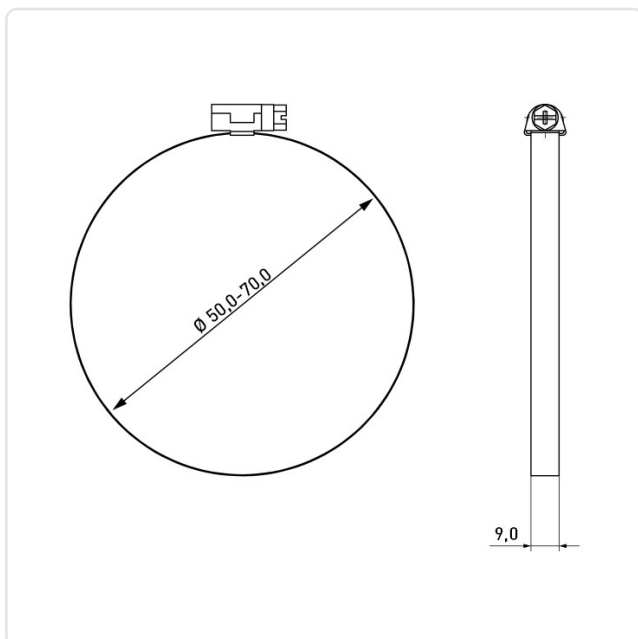
Image may be similar

Finish:	Plain
Material:	Stainless Steel AISI 316 / A4
Material Group:	Stainless Steel
Panel Thickness Range [mm]:	50,0-70,0
Width [mm]:	9
Conformities:	<div style="display: flex; gap: 10px;"> <div style="border: 1px solid green; padding: 2px; font-size: 8px;">Reach COMPLIANT</div> <div style="border: 1px solid green; padding: 2px; font-size: 8px;">RoHS COMPLIANT</div> <div style="border: 1px solid green; padding: 2px; font-size: 8px;">SVHC COMPLIANT</div> </div>



You can find all information on the web on our article detail page

[Hose Clamp with Worm Gear Drive Ø50.0-70.0 | A4 Plain Stainless Steel](#)



Would you like individual advice?

We look forward to your email to products@ettinger.de.

Subject to change and errors.