

Article datasheet

Disc Spring DIN16983 Ø4.2/8.0 x 0.4 Phosphated Spring Steel

Article-No.: 003.24.045

Manufacturer: SCHNORR

Manufacturer article-no.: 000700

SCHNORR
DISC SPRING ENGINEERING

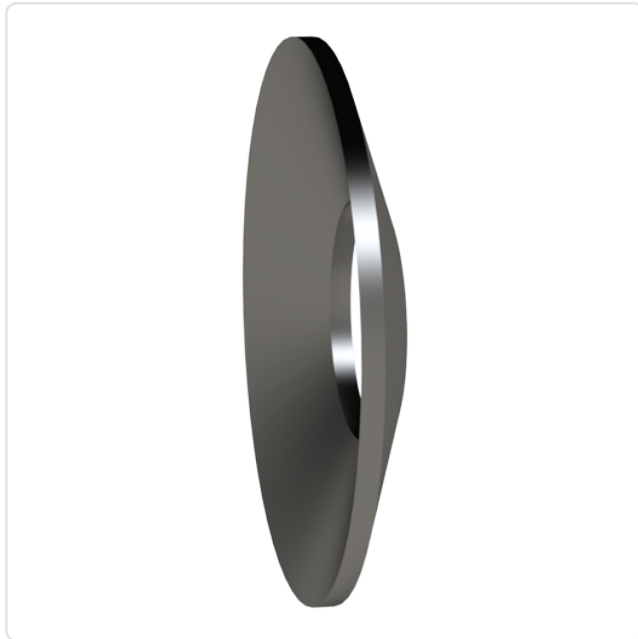


Image may be similar

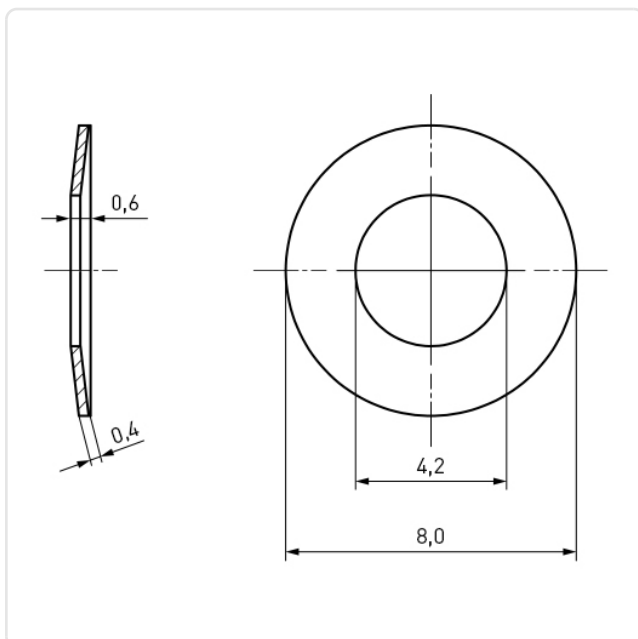
DIN/ISO: DIN2093
 Finish: Phosphated
 For Thread Size: M4
 Height [mm]: 0.4
 Inner Diameter [mm]: 4.2
 Material: Spring Steel
 Material Group: Steel
 Outer Diameter [mm]: 8

Conformities:



You can find all information on the web on our article detail page

[Disc Spring DIN16983 Ø4.2/8.0 x 0.4 Phosphated Spring Steel](#)



Would you like individual advice?

We look forward to your email to products@ettinger.de.

Subject to change and errors.