

Article datasheet

Hole Grommet 8.0/10.0-2.0mm EPDM black

Article-No.: 014.70.864

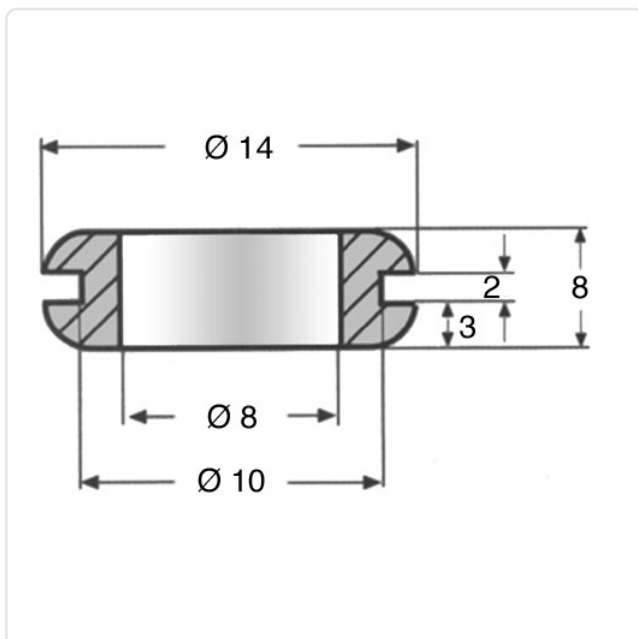


Image may be similar

Color:	Black
Inner Diameter [mm]:	8
Material:	EPDM - Ethylene Propylene Diene
Material Group:	Plastic
Max. Panel Thickness [mm]:	2
Mounting Hole [mm]:	10
Weight:	0.67g
Conformities:	<div style="display: flex; gap: 10px;"> <div style="border: 1px solid green; padding: 2px; font-size: 8px;">SVHC COMPLIANT</div> <div style="border: 1px solid green; padding: 2px; font-size: 8px;">Reach COMPLIANT</div> <div style="border: 1px solid green; padding: 2px; font-size: 8px;">RoHS COMPLIANT</div> </div>



You can find all information on the web on our article detail page
[Hole Grommet 8.0/10.0-2.0mm EPDM black](#)



Would you like individual advice?

We look forward to your email to products@ettinger.de.

Subject to change and errors.