

Article datasheet

## Soldering tag $\varnothing 5.3 \times 20 / 0.5 \text{mm}$ Brass silver-plated

Article-No.: 019.05.058

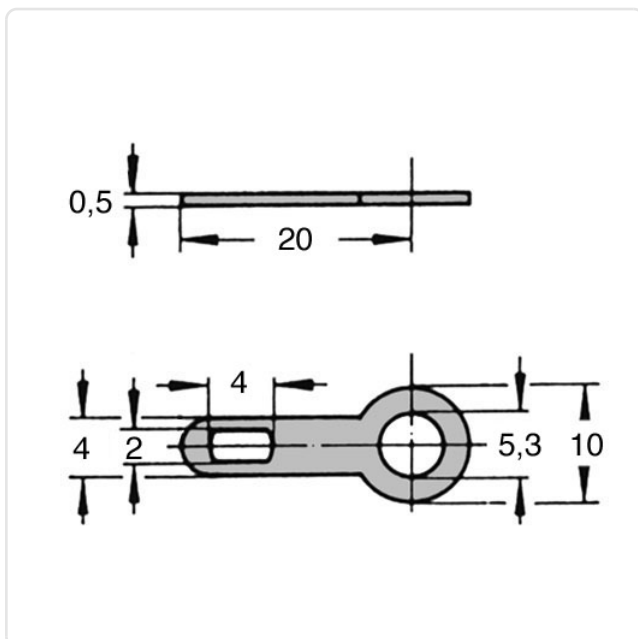


Image may be similar

Finish:	Silver-Plated
Inner Diameter [mm]:	5.3
Length [mm]:	20
Material:	Brass CW508L / CuZn37, lead-free
Material Group:	Brass
Outer Diameter [mm]:	10
Weight:	0.43g
Conformities:	<div style="display: flex; gap: 10px;"> <div style="border: 1px solid green; padding: 2px; text-align: center; color: green; font-size: 8px;">             Reach COMPLIANT           </div> <div style="border: 1px solid green; padding: 2px; text-align: center; color: green; font-size: 8px;">             RoHS COMPLIANT           </div> </div>



You can find all information on the web on our article detail page [Soldering tag  \$\varnothing 5.3 \times 20 / 0.5 \text{mm}\$  Brass silver-plated](#)



Would you like individual advice?

We look forward to your email to [products@ettinger.de](mailto:products@ettinger.de).

Subject to change and errors.