

Article datasheet

Soldering tag DIN 41496 4A2-2xF Brass silver-plated 0.5mm hole ø4.3mm

Article-No.: 019.05.249



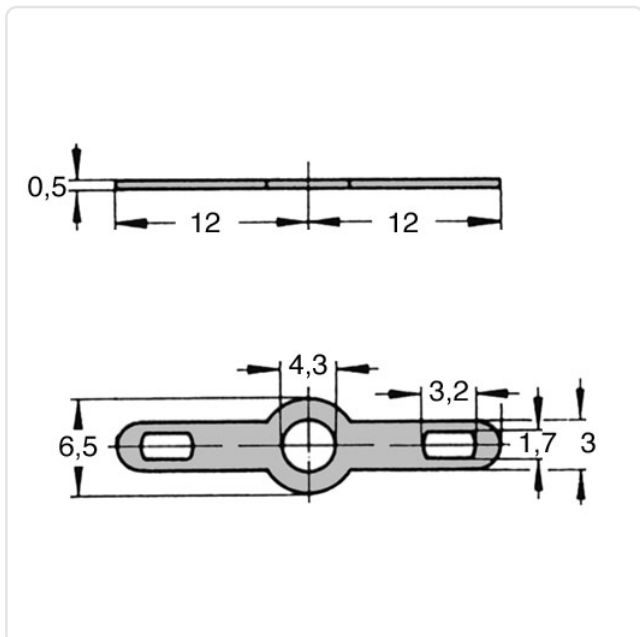
Image may be similar

DIN/ISO: DIN41496
 Finish: Silver-Plated
 Inner Diameter [mm]: 4.3
 Length [mm]: 24
 Material: Brass CW508L / CuZn37, lead-free
 Material Group: Brass
 Outer Diameter [mm]: 6.5
 Weight: 0.23g
 Conformities:



You can find all information on the web on our article detail page

[Soldering tag DIN 41496 4A2-2xF Brass silver-plated 0.5mm hole ø4.3mm](#)



Would you like individual advice?

We look forward to your email to products@ettinger.de.

Subject to change and errors.