

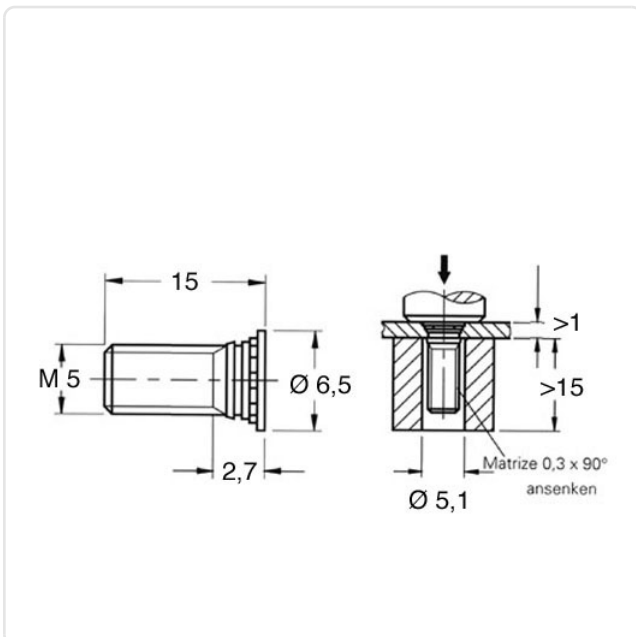
Article datasheet

Self-Clinching Stud M5x15.0 A2 Stainless Steel Passivated

Article-No.: 004.62.559



Image may be similar



| | |
|-----------------------------|-------------------------------|
| Area of Application: | For Metallic Materials |
| Finish: | Passivated, Clear |
| Head Diameter [mm]: | 6.5 |
| Length [mm]: | 15 |
| Material: | Stainless Steel AISI 304 / A2 |
| Material Group: | Stainless Steel |
| Minimum Edge Distance [mm]: | 7.2 |
| Panel Hole Ø [mm]: | 5 |
| Panel Thickness [mm]: | 1 |
| Thread Size: | M5 |
| Weight: | 1.89g |
| Conformities: | |



You can find all information on the web on our article detail page

[Self-Clinching Stud M5x15.0 A2 Stainless Steel Passivated](#)

Would you like individual advice?

We look forward to your email to products@ettinger.de.

Subject to change and errors.