

Article datasheet

**PCB Support 4.8 |  $\varnothing$ 4.0 |  $\varnothing$ 4.8 Polyamide 6.6 natural**

Article-No.: 006.38.216

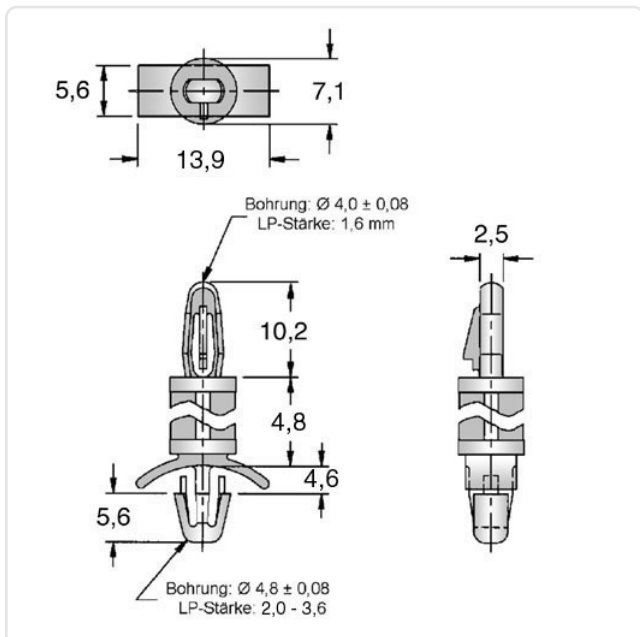


Image may be similar

Color:	Natural
Flammability Class:	UL94-V2
Length [mm]:	4.8
Material:	PA 6.6
Material Group:	Plastic
PCB Hole $\varnothing$ [mm]:	4
PCB Thickness [mm]:	1.6
Panel Hole $\varnothing$ [mm]:	4.8
Panel Thickness [mm]:	2.0-3.6
Weight:	0.45g
Conformities:	



You can find all information on the web on our article detail page [PCB Support 4.8 |  \$\varnothing\$ 4.0 |  \$\varnothing\$ 4.8 Polyamide 6.6 natural](#)



Would you like individual advice?

We look forward to your email to [products@ettinger.de](mailto:products@ettinger.de).

Subject to change and errors.