

Article datasheet

Hole Grommet 3.0/5.0-2.0mm TPE black

Article-No.: 014.80.160

Manufacturer: SES-Sterling

Manufacturer article-no.: 0145 0006 010

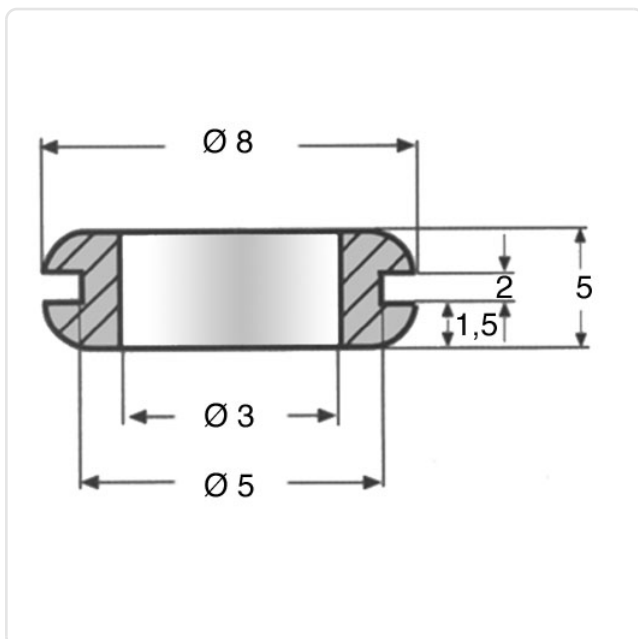


Image may be similar

| | |
|----------------------------|--|
| Color: | Black |
| Inner Diameter [mm]: | 3 |
| Material: | TPR - Thermoplastic Elastomer |
| Material Group: | Kunststoff |
| Max. Panel Thickness [mm]: | 2 |
| Mounting Hole [mm]: | 5 |
| Weight: | 0.17g |
| Conformities: | <div style="display: flex; gap: 10px;"> <div style="border: 1px solid green; padding: 2px; font-size: 8px;">Reach COMPLIANT</div> <div style="border: 1px solid green; padding: 2px; font-size: 8px;">RoHS COMPLIANT</div> <div style="border: 1px solid green; padding: 2px; font-size: 8px;">SVHC COMPLIANT</div> </div> |



You can find all information on the web on our article detail page
[Hole Grommet 3.0/5.0-2.0mm TPE black](#)



Would you like individual advice?

We look forward to your email to products@ettinger.de.

Subject to change and errors.