

Article datasheet

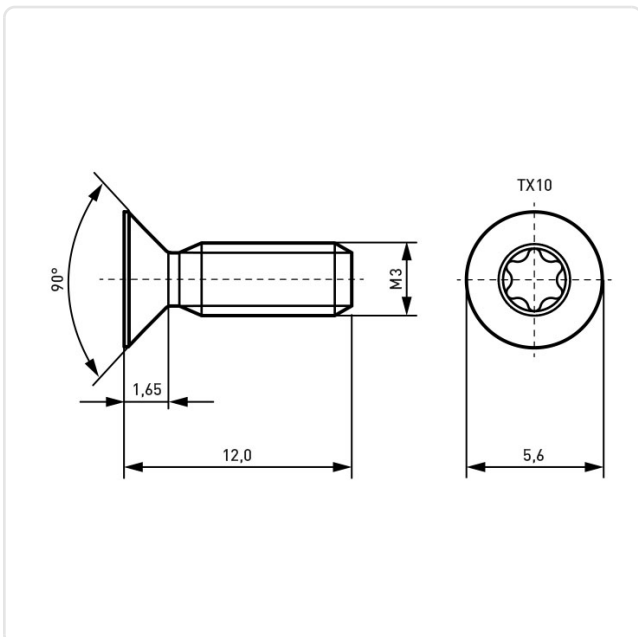
Countersunk Screw ISO14581 M3x12 A4 Plain Stainless Steel Torx

Article-No.: 001.55.359



Image may be similar

Actuator Size:	Torx T10
DIN/ISO:	ISO7046
Drive Type:	TORX
Finish:	Plain
Head Diameter [mm]:	5.6
Head Height [mm]:	1.65
Head Shape:	Countersunk Head
Length [mm]:	12
Material:	Stainless Steel AISI 316 / A4
Material Group:	NULL
Thread Size:	M3
Weight:	0.58g
Conformities:	



You can find all information on the web on our article detail page

[Countersunk Screw ISO14581 M3x12 A4 Plain Stainless Steel Torx](#)

Would you like individual advice?

We look forward to your email to products@ettinger.de.

Subject to change and errors.