

Article datasheet

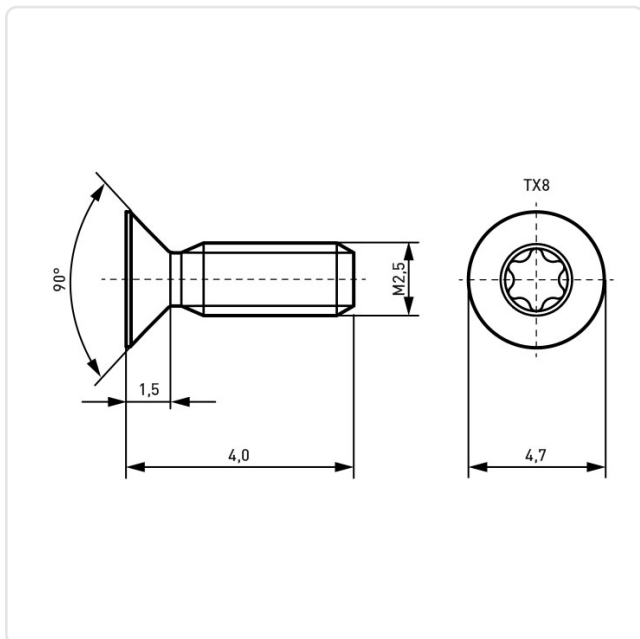
Countersunk Screw ISO14581 M2.5x4 A2 Plain Stainless Steel Torx

Article-No.: 001.55.202



Image may be similar

| | |
|---------------------|-------------------------------|
| Actuator Size: | Torx T8 |
| DIN/ISO: | ISO14581 |
| Drive Type: | TORX |
| Finish: | Plain |
| Head Diameter [mm]: | 4.7 |
| Head Height [mm]: | 1.5 |
| Head Shape: | Countersunk Head |
| Length [mm]: | 4 |
| Material: | Stainless Steel AISI 304 / A2 |
| Material Group: | Stahl rostfrei |
| Thread Size: | M2.5 |
| Weight: | 0.19g |
| Conformities: | |



You can find all
information on the web on
our article detail page

Would you like individual advice?
We look forward to your email to products@ettinger.de.

Subject to change and errors.