

Article datasheet

## Straight-Thru Strain Relief Bushing for round cables - PA6.6 black

Article-No.: 014.04.180



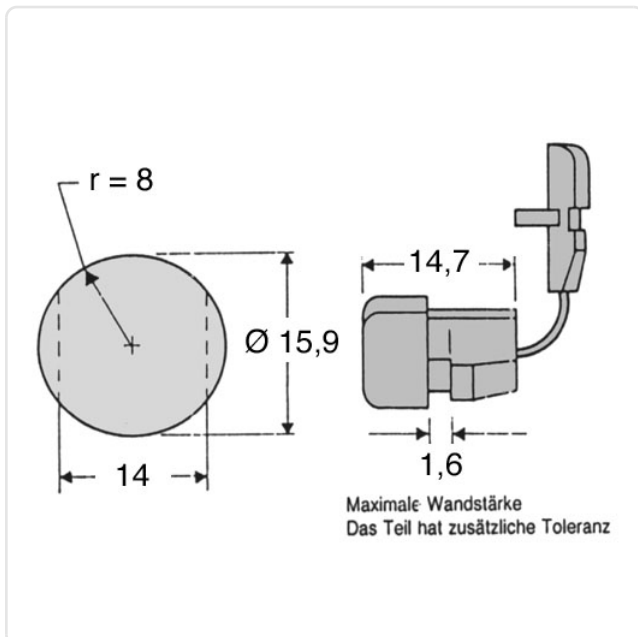
Image may be similar

Cable diameter [mm]:	Ø 7,6-11
Color:	Black
Material:	PA 6.6
Material Group:	Plastic
Max. Panel Thickness [mm]:	1.6
Mounting Hole [mm]:	15.9
Panel Thickness Range [mm]:	8,3-9,1 mm
Weight:	1.81g
Conformities:	



You can find all information on the web on our article detail page

[Straight-Thru Strain Relief Bushing for round cables - PA6.6 black](#)



Would you like individual advice?

We look forward to your email to [products@ettinger.de](mailto:products@ettinger.de).

Subject to change and errors.