

Article datasheet

Swage Standoff Ø4.2x5.0 Tin-Plated Steel

Article-No.: 004.61.825



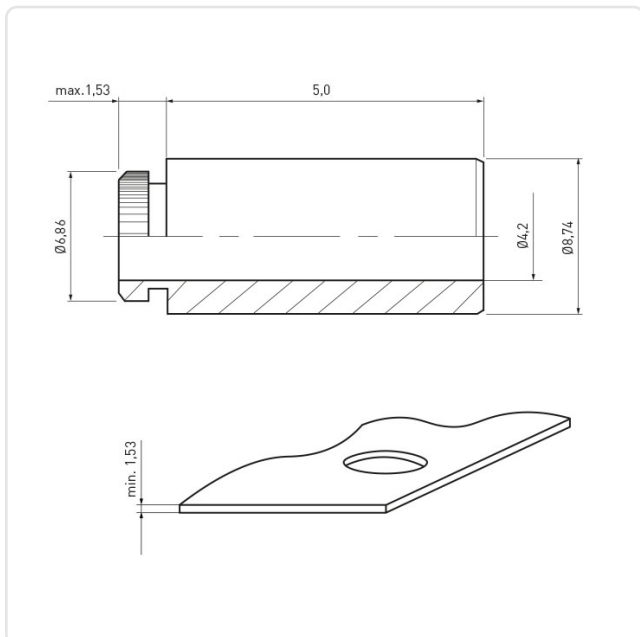
Image may be similar

Area of Application:	For Plastics
Finish:	Tin-Plated
Inner Diameter [mm]:	4.2
Length [mm]:	5
Material:	Steel
Material Group:	Steel
Minimum Edge Distance [mm]:	7.1
Outer Diameter [mm]:	8.7
Panel Hole Ø [mm]:	6.4
Panel Thickness [mm]:	1,5
Weight:	2.01g
Conformities:	



You can find all information on the web on our article detail page

[Swage Standoff Ø4.2x5.0 Tin-Plated Steel](#)



Would you like individual advice?

We look forward to your email to products@ettinger.de.

Subject to change and errors.