

Article datasheet

Turret Terminal 1-pole UNC4-40 DAP | Tinned Brass

Article-No.: 013.81.486



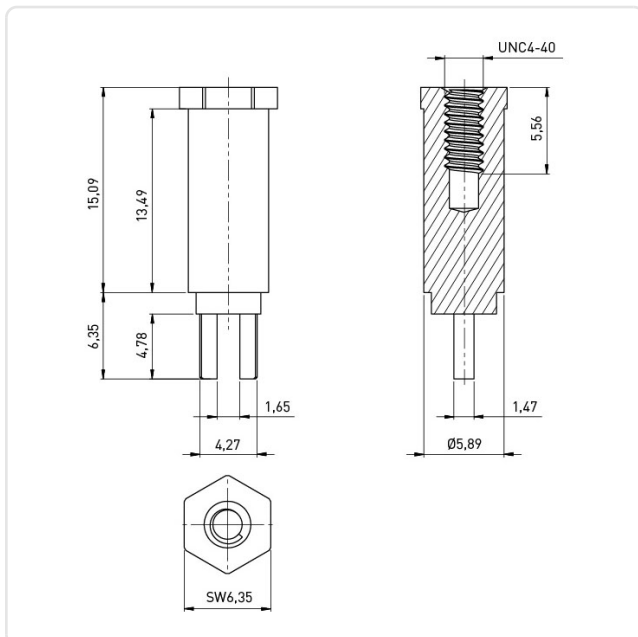
Image may be similar

AF / OD [mm]:	6.4
Diameter [mm]:	5.9
Finish:	Tin-Plated
Insulation:	DAP
Length [mm]:	15.1
Material:	Brass
Material Group:	Brass
Thread Length [mm]:	5.6
Thread Size:	UNC4-40
Weight:	2.05g
Conformities:	



You can find all information on the web on our article detail page

[Turret Terminal 1-pole UNC4-40 DAP | Tinned Brass](#)



Would you like individual advice?

We look forward to your email to products@ettinger.de.

Subject to change and errors.