

Article datasheet

Sealing screw DIN 46320 PG16 Brass nickel-plated without O-ring

Article-No.: 014.36.163

Manufacturer: LAPP

Manufacturer article-no.: 52003420

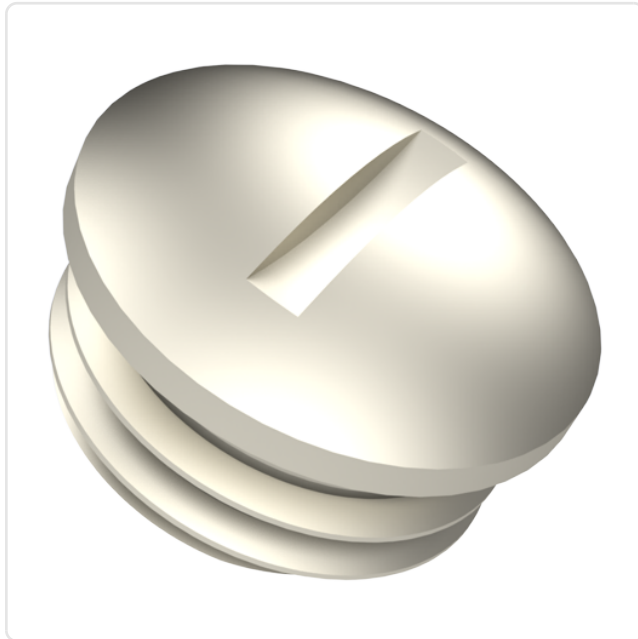


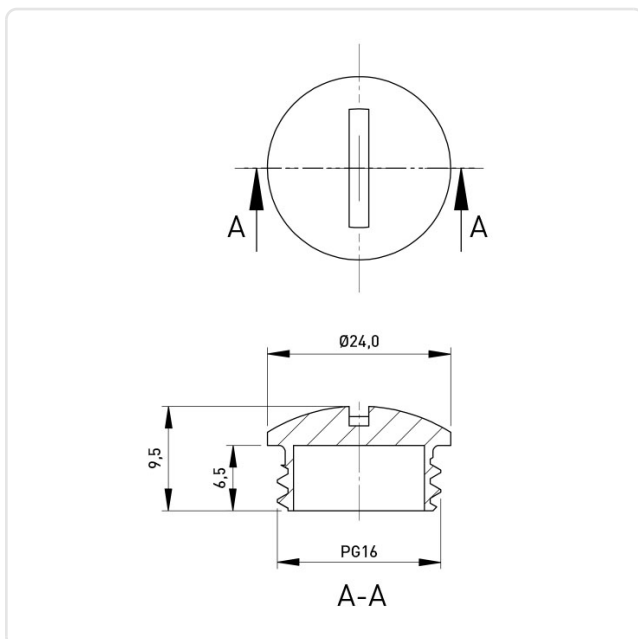
Image may be similar

Height [mm]: 9.5
 Material: Brass
 Material Group: Brass
 Model: Plug Screw
 Thread Size: PG16
 Weight: 12.53g
 Conformities:



You can find all information on the web on our article detail page

[Sealing screw DIN 46320 PG16 Brass nickel-plated without O-ring](#)



Would you like individual advice?

We look forward to your email to products@ettinger.de.

Subject to change and errors.