

Article datasheet

**Wrap Pin 0.6x15.0mm Bronze gold-plated**

Article-No.: 013.18.864



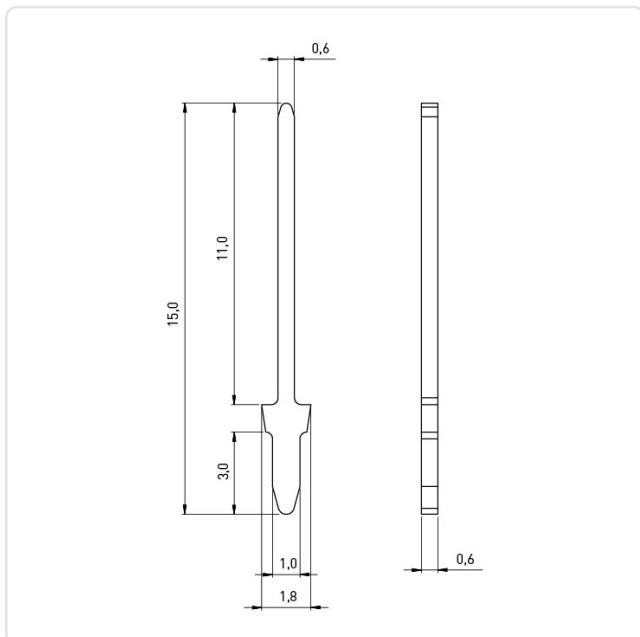
Image may be similar

Finish: Gold-Plated  
Length [mm]: 15  
Material: Bronze lead-free  
PCB Hole Ø [mm]: 1  
Thickness [mm]: 0.6  
Weight: 0.04g  
Conformities:



You can find all information on the web on our article detail page

[Wrap Pin 0.6x15.0mm Bronze gold-plated](#)



Would you like individual advice?

We look forward to your email to [products@ettinger.de](mailto:products@ettinger.de).

Subject to change and errors.