

Article datasheet

Solder Terminal Pin 2.0x6.0mm Brass tinned 0.4mm

Article-No.: 013.13.785

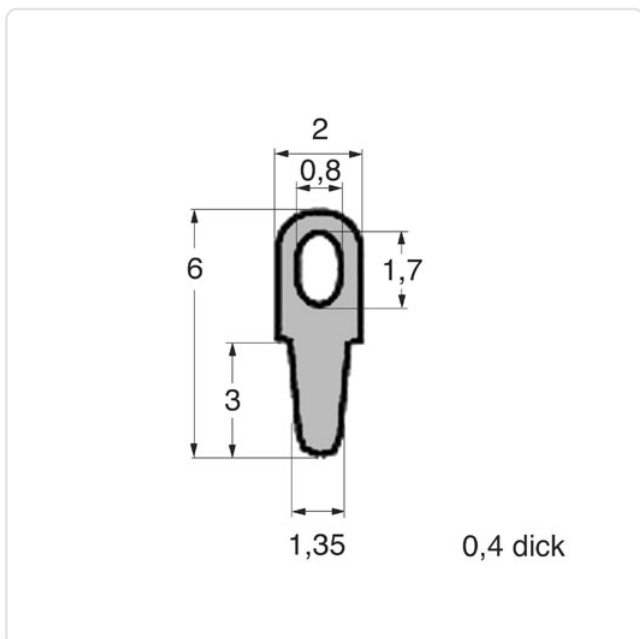


Image may be similar

Finish: Tin-Plated
 Length [mm]: 6
 Material: Messing
 PCB Hole Ø [mm]: 1.3
 Thickness [mm]: 0.4
 Width [mm]: 2
 Weight: 0.04g
 Conformities:



You can find all information on the web on our article detail page
[Solder Terminal Pin 2.0x6.0mm Brass tinned 0.4mm](#)



Would you like individual advice?

We look forward to your email to products@ettinger.de.

Subject to change and errors.