

Article datasheet

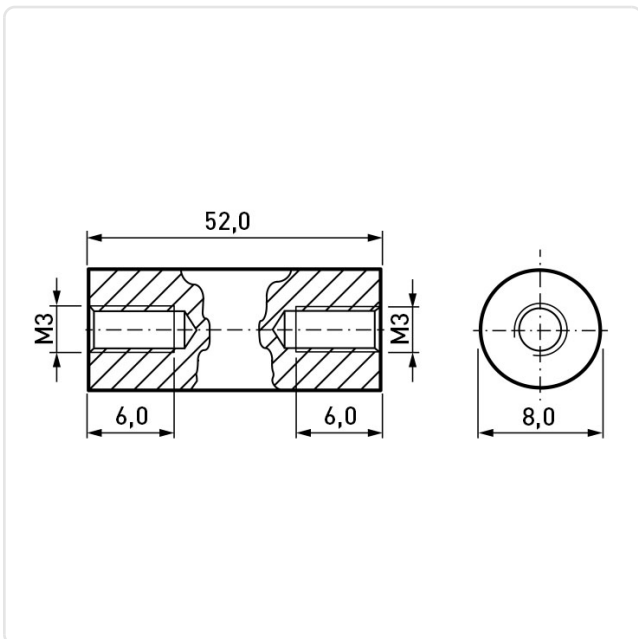
**Insulated Standoff PA-Brass F/F ø8x52 | Thread M3x6 / M3x6**

Article-No.: 005.48.352



Image may be similar

AF / OD [mm]: 8  
 Flammability Class: UL94-HB  
 Length [mm]: 52  
 Material: PA 6.6  
 Material Group: Plastic  
 Profile: Round  
 Thread 1 Length [mm]: 6  
 Thread 1 Size: M3  
 Thread 2 Length [mm]: 6  
 Thread 2 Size: M3  
 Thread Insert Material: Brass  
 Weight: 3.48g  
 Conformities:



You can find all information on the web on our article detail page

[Insulated Standoff PA-Brass F/F ø8x52 | Thread M3x6 / M3x6](#)

Would you like individual advice?

We look forward to your email to [products@ettinger.de](mailto:products@ettinger.de).

Subject to change and errors.