

Article datasheet

**Hole Plug  $\varnothing$ 4.6/7.0mm Polyethylene,natural/Not UL-listed**

Article-No.: 014.10.034

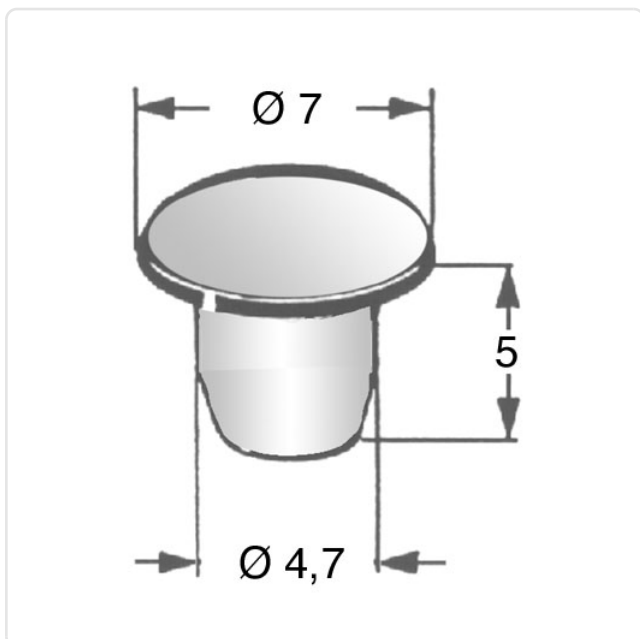


Image may be similar

Color: Natural  
Inner Diameter [mm]: 4.6  
Material: PE - Polyethylene  
Material Group: Plastic  
Model: Hole Plug  
Outer Diameter [mm]: 7  
Weight: 0.09g  
Conformities:



You can find all information on the web on our article detail page  
[Hole Plug  \$\varnothing\$ 4.6/7.0mm Polyethylene,natural/Not UL-listed](#)



Would you like individual advice?

We look forward to your email to [products@ettinger.de](mailto:products@ettinger.de).

Subject to change and errors.