

Article datasheet

Connection Washer A M3.5 Galvanized Spring Steel

Article-No.: 003.31.351

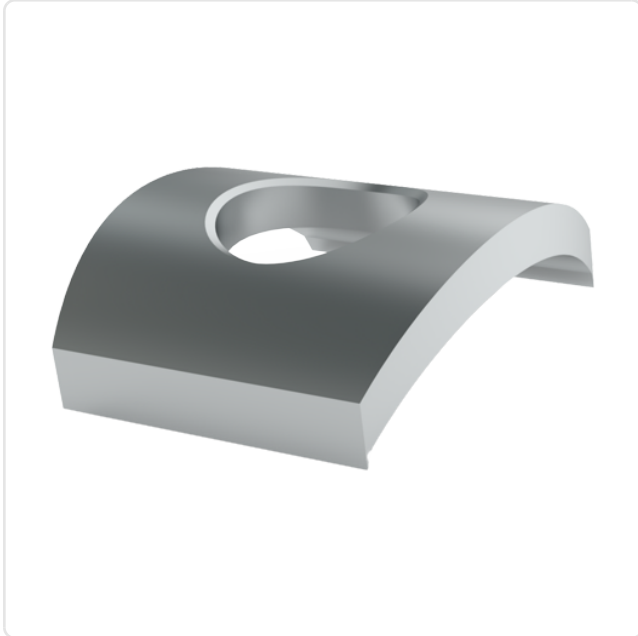
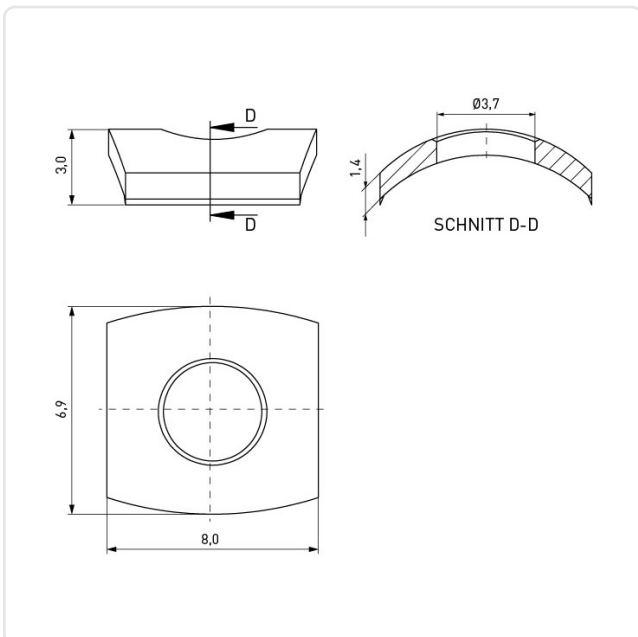


Image may be similar

Finish: Galvanized, Blue, 5 µm, A2K
 For Thread Size: M3.5
 Height [mm]: 1.4
 Inner Diameter [mm]: 3.61
 Material: Spring Steel
 Material Group: Steel
 Weight: 0.48g
 Conformities:



You can find all information on the web on our article detail page
[Connection Washer A M3.5 Galvanized Spring Steel](#)



Would you like individual advice?

We look forward to your email to products@ettinger.de.

Subject to change and errors.