

Article datasheet

## Metal Continuous Cushioned Grommet with Fusion Bonded Nylon Coating

Article-No.: 014.95.350

Manufacturer: DTi Device Technologies

Manufacturer article-no.: BT5-0100-ER0201



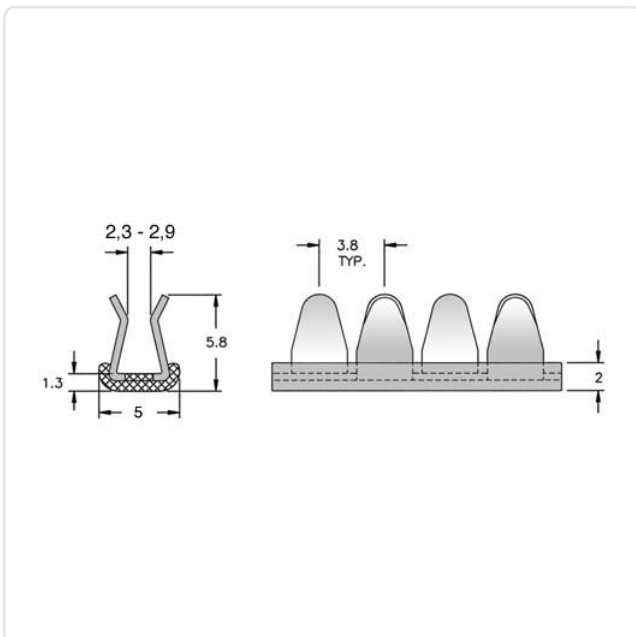
Image may be similar

Color: Black  
 Flammability Class: UL94-V0  
 Height [mm]: 5.8  
 Material: Stainless Steel AISI 304 / X5CrNi18-10  
 Material Group: Stainless Steel  
 Model: BT Series  
 Panel Thickness [mm]: 2,3 - 2,9 mm  
 Reel Length [m]: 30.5  
 Width [mm]: 5.8  
 Weight: 1065g  
 Conformities:



You can find all information on the web on our article detail page

[Metal Continuous Cushioned Grommet with Fusion Bonded Nylon Coating](#)



Would you like individual advice?

We look forward to your email to [products@ettinger.de](mailto:products@ettinger.de).

Subject to change and errors.