

Article datasheet

PCB Support 36.0 | M3 | ø4.0 Polyamide 6.6 black

Article-No.: 006.53.366

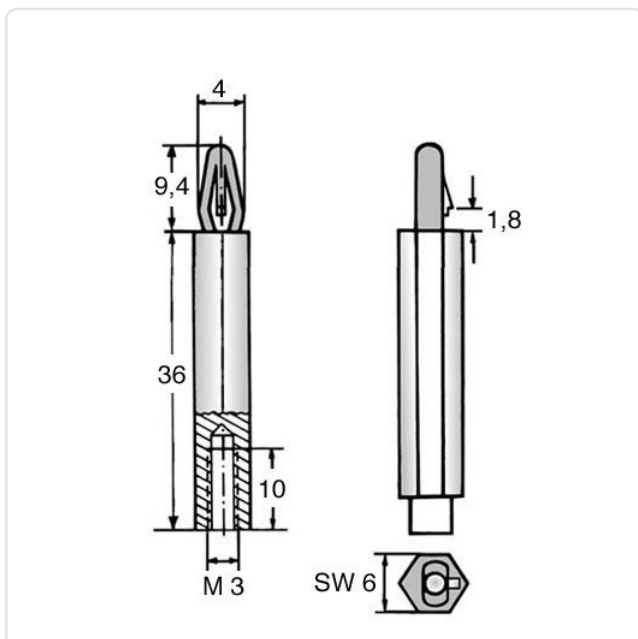


Image may be similar

Color: Black
 Flammability Class: UL94-HB
 Length [mm]: 36
 Material: PA 6.6
 Material Group: Plastic
 PCB Hole Ø [mm]: 4
 PCB Thickness [mm]: 1,6
 Thread Size: M3
 Weight: 1.18g
 Conformities:



You can find all information on the web on our article detail page
[PCB Support 36.0 | M3 | ø4.0 Polyamide 6.6 black](#)



Would you like individual advice?

We look forward to your email to products@ettinger.de.

Subject to change and errors.