

Article datasheet

Dowel Pin ISO8734 Ø2x5 Plain Steel

Article-No.: 080.01.0205



Image may be similar

DIN/ISO: ISO8734

Diameter [mm]: 2

Finish: Plain

Length [mm]: 5

Material: Steel

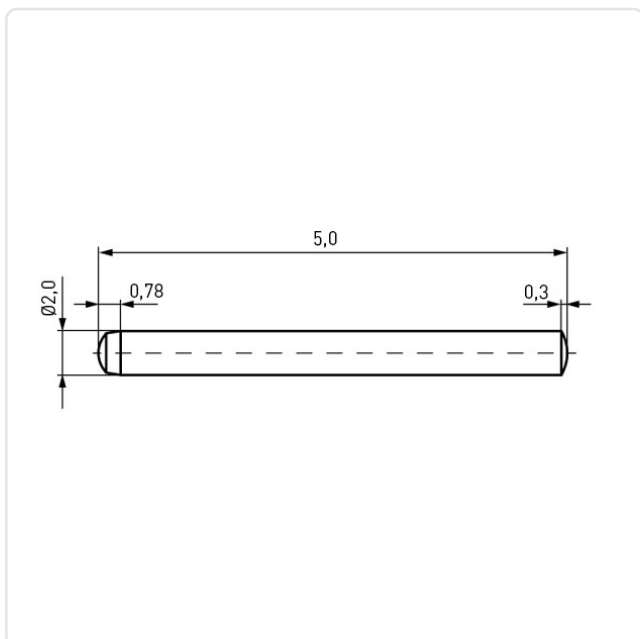
Material Group: Stahl

Weight: 0.13g

Conformities:



You can find all information on the web on our article detail page

[Dowel Pin ISO8734 Ø2x5 Plain Steel](#)

Would you like individual advice?

We look forward to your email to products@ettinger.de.

Subject to change and errors.