

Article datasheet

Coincell Holder for 1x $\varnothing 24 \times 3 \text{mm}$ cell LCP-GF UL94-V0/gold-plated contacts

Article-No.: 015.61.243

Manufacturer: Keystone Electronics

Manufacturer article-no.: 1052

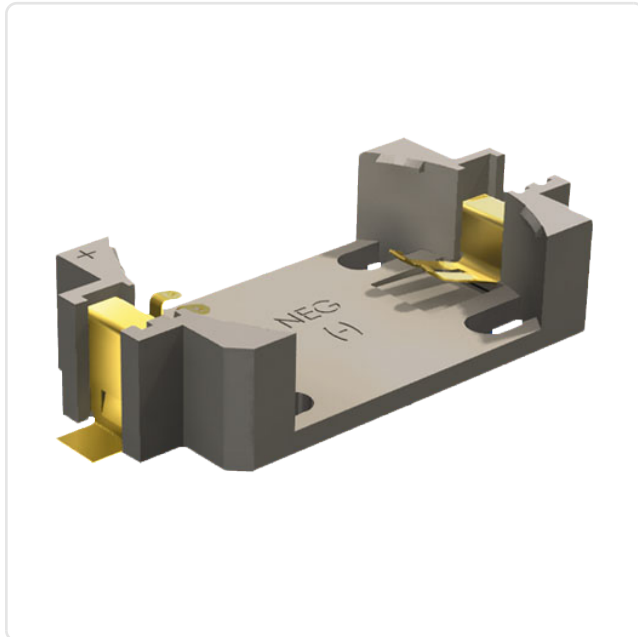


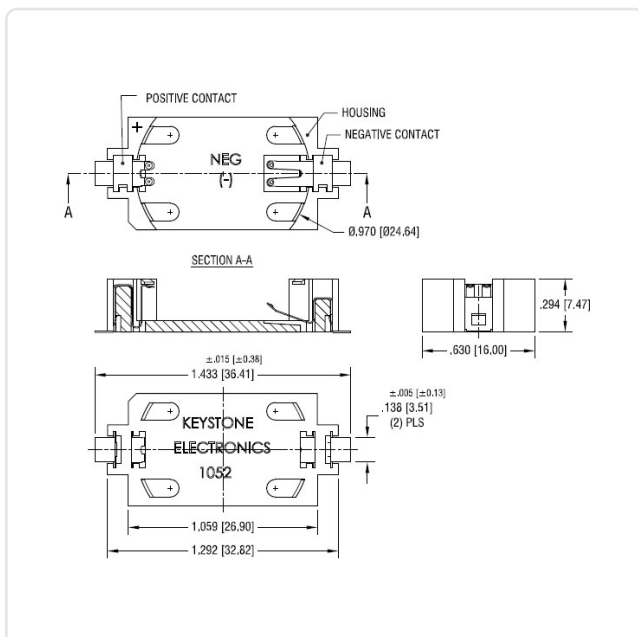
Image may be similar

Battery Type: Cell Dia. 24mm
 Cell diameter [mm]: $\varnothing 24.0$
 Finish: Gold-Plated
 Flammability Class: UL94-V0
 Height [mm]: 7.5
 Material: LCP - Liquid Crystal Polymer
 Material Group: Plastic
 Model: SMD Connection
 No. Cells: 1
 Weight: 2.97g
 Conformities:



You can find all information on the web on our article detail page

[Coincell Holder for 1x \$\varnothing 24 \times 3 \text{mm}\$ cell LCP-GF UL94-V0/gold-plated contacts](#)



Would you like individual advice?

We look forward to your email to products@ettinger.de.

Subject to change and errors.