

Article datasheet

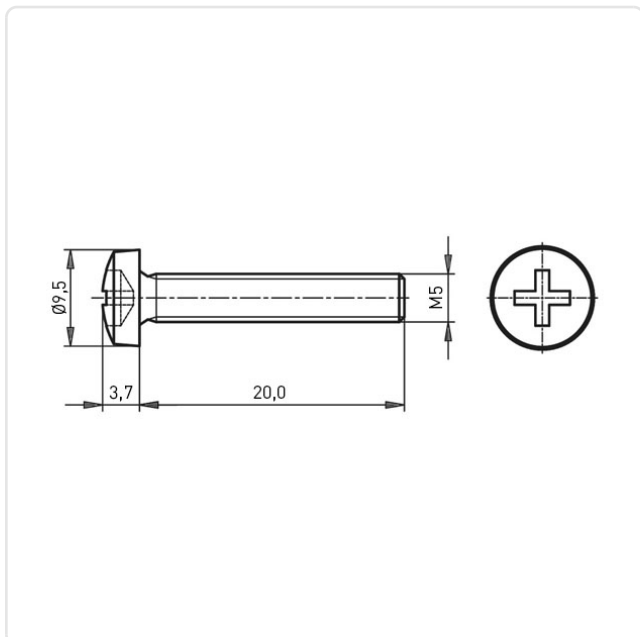
Pan Head Screw ISO7045 M5x20 Polyamide 6.6 Natural Cross Recessed

Article-No.: 001.47.576



Image may be similar

Actuator Size:	Phillips PH2
Color:	Natural
DIN/ISO:	ISO7045
Drive Type:	Cross Recess / Phillips-H
Flammability Class:	UL94-V2
Head Diameter [mm]:	10
Head Height [mm]:	3.8
Head Shape:	Pan Head
Length [mm]:	20
Material:	PA 6.6
Material Group:	Plastic
Thread Size:	M5
Weight:	0.52g
Conformities:	



You can find all information on the web on our article detail page
[Pan Head Screw ISO7045 M5x20 Polyamide 6.6 Natural Cross Recessed](#)

Would you like individual advice?

We look forward to your email to products@ettinger.de.

Subject to change and errors.