

Article datasheet

Hexagon Nut DIN934/ISO4032 M2.5 Nickel-Plated Steel 4.8

Article-No.: 002.10.023

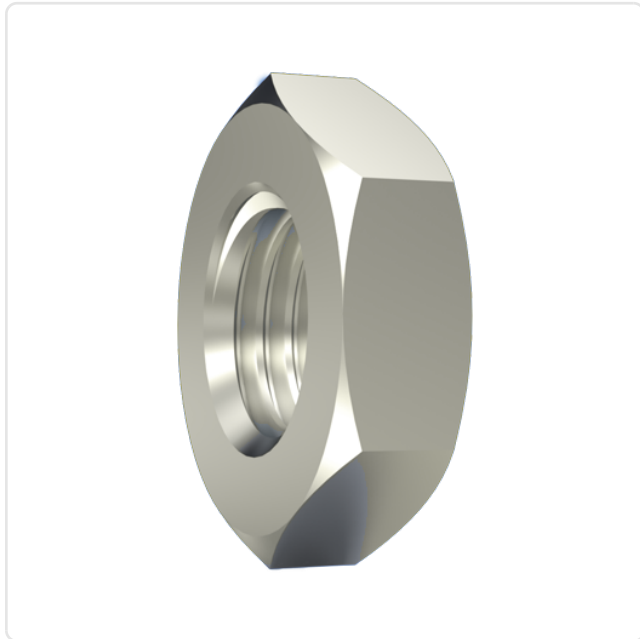


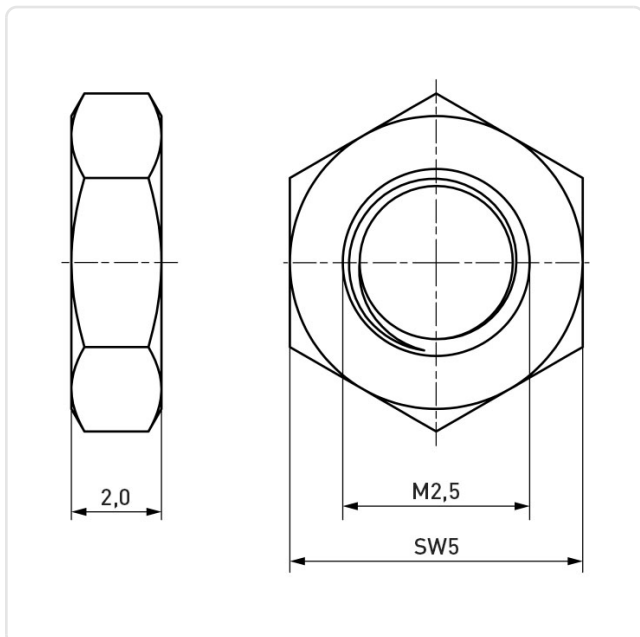
Image may be similar

AF / OD [mm]: 5
 DIN/ISO: ISO4032
 Finish: Nickel-Plated, 3 µm, E1E
 Height [mm]: 2
 Material: Steel 4.8
 Material Group: Stahl
 Thread Size: M2.5
 Weight: 0.24g
 Conformities:



You can find all information on the web on our article detail page

[Hexagon Nut DIN934/ISO4032 M2.5 Nickel-Plated Steel 4.8](#)



Would you like individual advice?

We look forward to your email to products@ettinger.de.

Subject to change and errors.