

Article datasheet

PCB Support 4.8 | ø2.5 Polyamide 6.6 natural

Article-No.: 006.70.304



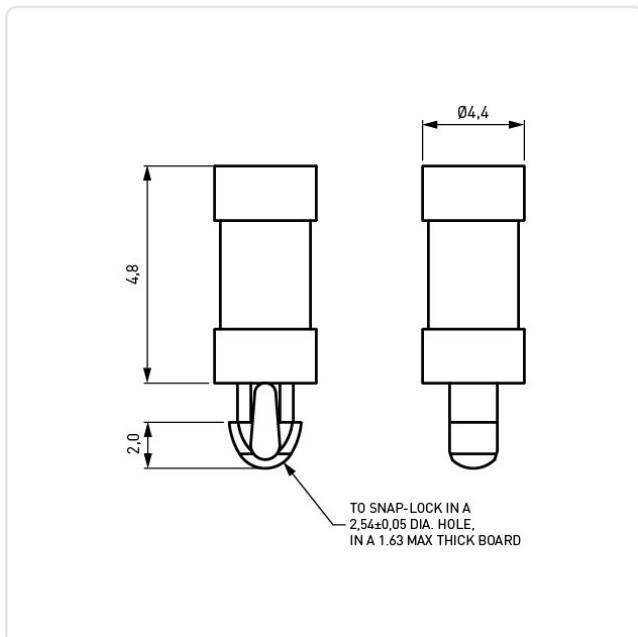
Image may be similar

Color:	Natural
Flammability Class:	UL94-V2
Length [mm]:	4.8
Material:	PA 6.6
Material Group:	Plastic
Panel Hole Ø [mm]:	2.5
Panel Thickness [mm]:	1,6
Weight:	0.09g
Conformities:	



You can find all information on the web on our article detail page

[PCB Support 4.8 | ø2.5 Polyamide 6.6 natural](#)



Would you like individual advice?

We look forward to your email to products@ettinger.de.

Subject to change and errors.