

Article datasheet

Swage Standoff M4x11.0 Galvanized Steel

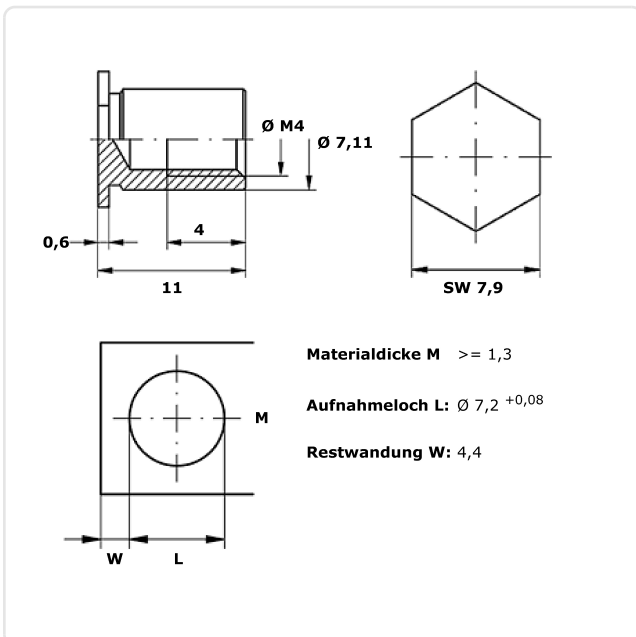
Article-No.: 004.66.4411



AF / OD [mm]:	7.9
Area of Application:	For Metallic Materials
Finish:	Galvanized, Blue, 5 µm, A2K
Length [mm]:	11
Material:	Case-Hardened Steel
Material Group:	Steel
Minimum Edge Distance [mm]:	4.4
Outer Diameter [mm]:	7.11
Panel Hole Ø [mm]:	7.2
Panel Thickness [mm]:	1,3
Thread Size:	M4
Conformities:	



Image may be similar



You can find all information on the web on our article detail page

[Swage Standoff M4x11.0 Galvanized Steel](#)

Would you like individual advice?

We look forward to your email to products@ettinger.de.

Subject to change and errors.