

Article datasheet

Knurled Knobs, Low, M8 ø25x8 POM black

Article-No.: 002.37.080



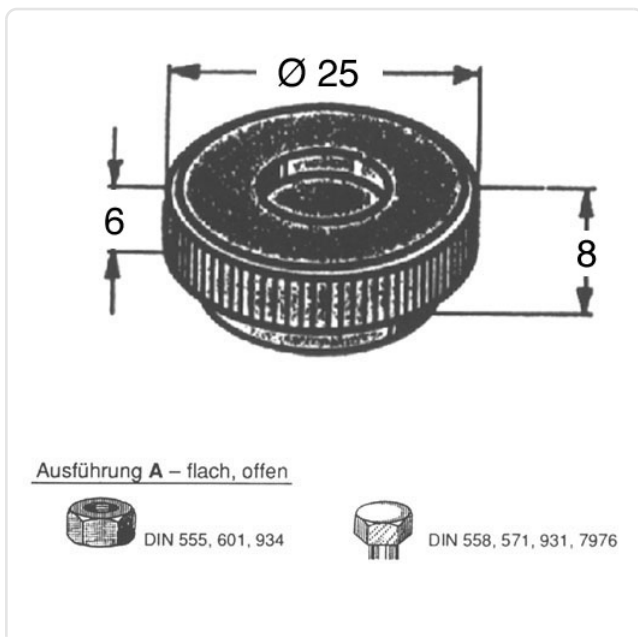
Image may be similar

Color: Black
 Diameter [mm]: 25
 Flammability Class: UL94-HB
 Height [mm]: 8
 Material: POM - Polyoxymethylene
 Material Group: Plastic
 Thread Size: M8
 Weight: 2.76g
 Conformities:



You can find all information on the web on our article detail page

[Knurled Knobs, Low, M8 ø25x8 POM black](#)



Would you like individual advice?

We look forward to your email to products@ettinger.de.

Subject to change and errors.