

Article datasheet

Pan Head Screw ISO7045 M3x16 Stainless Steel A4 Cross Recessed

Article-No.: 001.17.369

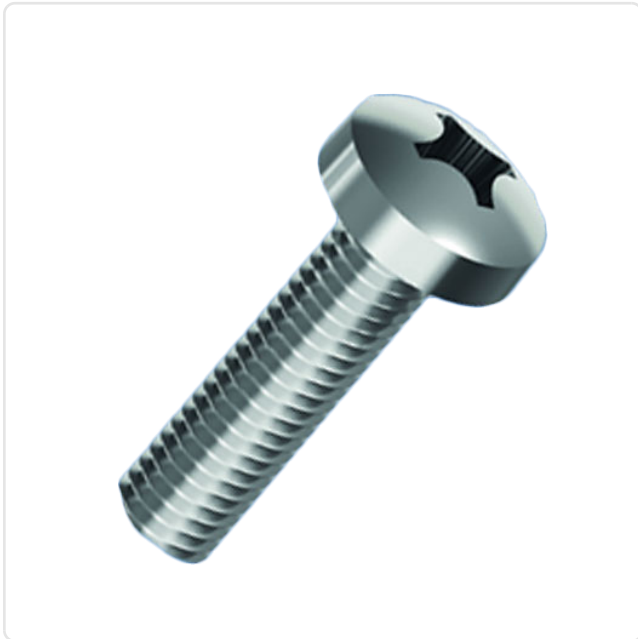
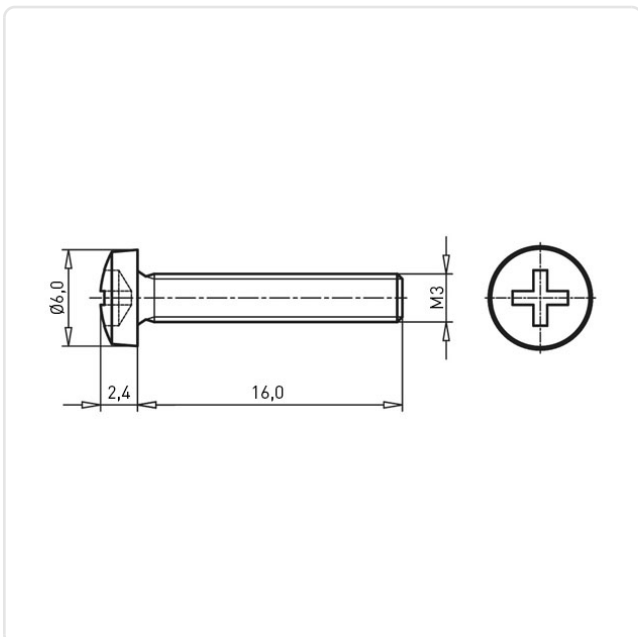


Image may be similar

| | |
|---------------------|-------------------------------|
| Actuator Size: | Phillips PH1 |
| DIN/ISO: | ISO7045 |
| Drive Type: | Cross Recess / Phillips-H |
| Finish: | Plain |
| Head Diameter [mm]: | 5.6 |
| Head Height [mm]: | 2.4 |
| Head Shape: | Pan Head |
| Length [mm]: | 16 |
| Material: | Stainless Steel AISI 316 / A4 |
| Material Group: | Stainless Steel |
| Thread Size: | M3 |
| Weight: | 1.08g |
| Conformities: | |



You can find all information on the web on our article detail page

[Pan Head Screw ISO7045 M3x16 Stainless Steel A4 Cross Recessed](#)

Would you like individual advice?

We look forward to your email to products@ettinger.de.

Subject to change and errors.