

Article datasheet

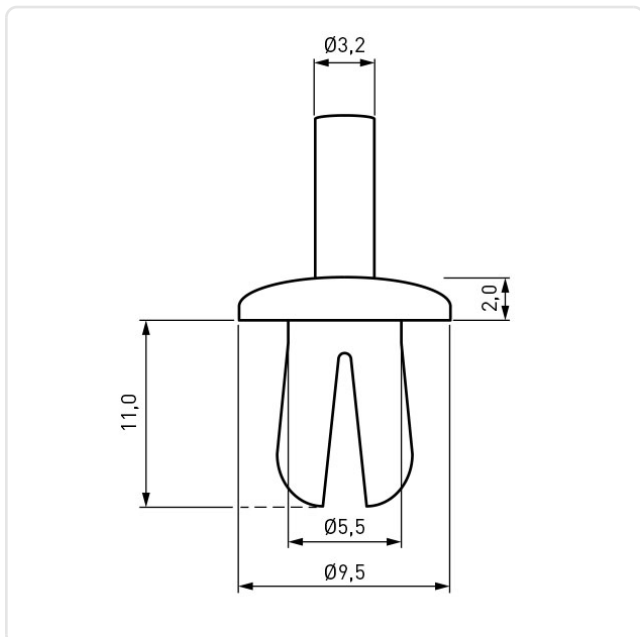
Drive Rivet Ø5.5 | 2.0-8.0 Polyamide 6.6 black

Article-No.: 072.13.540



Image may be similar

Color:	Black
Flammability Class:	UL94-V2
Head Diameter [mm]:	9.5
Head Height [mm]:	2
Length [mm]:	11
Mandrel Diameter [mm]:	3.2
Material:	PA 6.6
Material Group:	Plastic
Model:	not removable
Mounting Hole Range [mm]:	5.5-5.7
Panel Thickness [mm]:	2,0-8,0
Rivet Diameter [mm]:	5.5
Weight:	0.41g
Conformities:	



You can find all information on the web on our article detail page

[Drive Rivet Ø5.5 | 2.0-8.0 Polyamide 6.6 black](#)

Would you like individual advice?

We look forward to your email to products@ettinger.de.

Subject to change and errors.