

Article datasheet

Countersunk Screw ISO7046 M3x35 Galvanized Steel 4.8 Cross Recessed

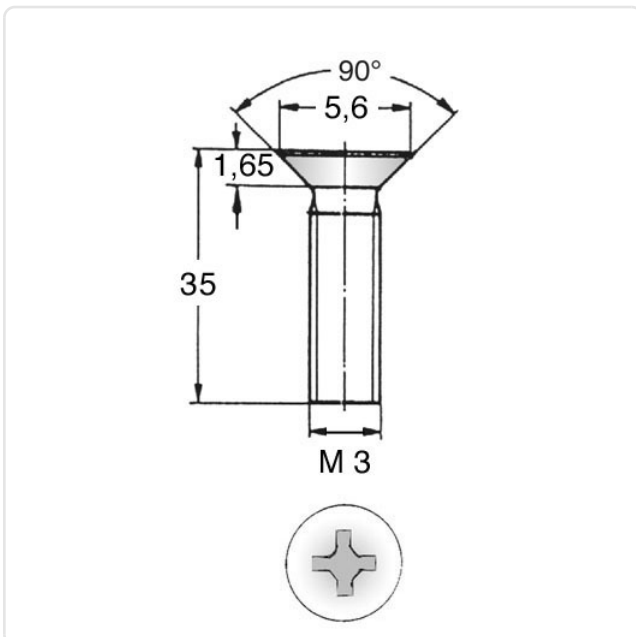
Article-No.: 082.22.331



Actuator Size:	Phillips PH1
DIN/ISO:	ISO7046
Drive Type:	Cross Recess / Phillips-H
Finish:	Galvanized, Blue, 5 µm, A2K
Head Diameter [mm]:	5.6
Head Height [mm]:	1.65
Head Shape:	Countersunk Head
Length [mm]:	35
Material:	Steel 4.8
Material Group:	Stahl
Thread Size:	M3
Weight:	1.57g
Conformities:	



Image may be similar



You can find all information on the web on our article detail page

[Countersunk Screw ISO7046 M3x35 Galvanized Steel 4.8 Cross Recessed](#)

Would you like individual advice?

We look forward to your email to products@ettinger.de.

Subject to change and errors.