

Article datasheet

## Male Jumper 2.54mm pitch $\varnothing$ 0.6/1.0mm Brass tinned

Article-No.: 013.07.335

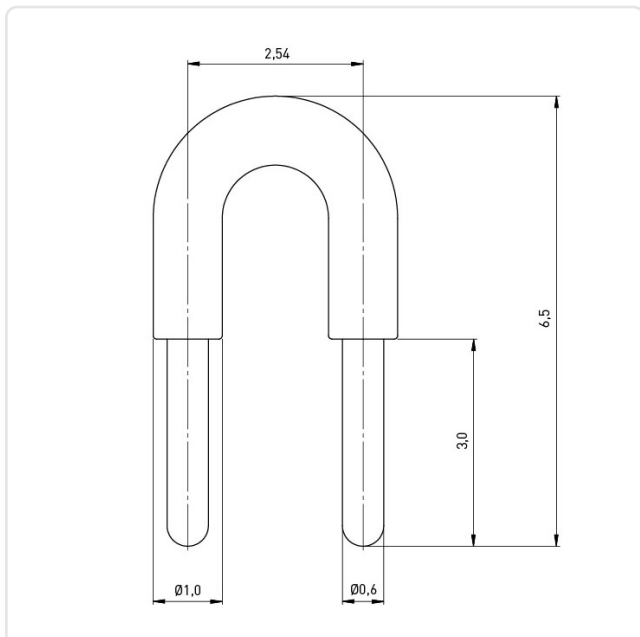


Image may be similar

Diameter [mm]: 0.6  
 Finish: Tin-Plated  
 Grid [mm]: 2.54  
 Height [mm]: 6.5  
 Material: Brass  
 Material Group: Brass  
 Weight: 0.06g  
 Conformities:



You can find all information on the web on our article detail page  
[Male Jumper 2.54mm pitch  \$\varnothing\$ 0.6/1.0mm Brass tinned](#)



Would you like individual advice?

We look forward to your email to [products@ettinger.de](mailto:products@ettinger.de).

Subject to change and errors.