

Article datasheet

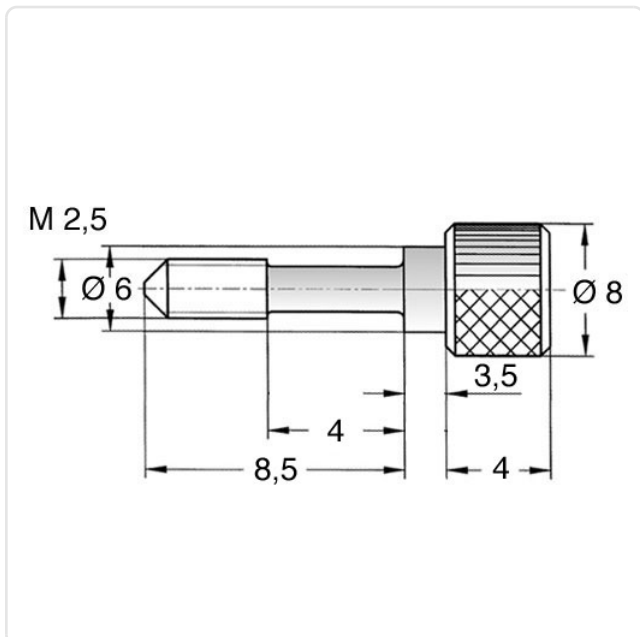
Knurled Thumb Screw M2.5x8.5 Brass Diamond Knurl

Article-No.: 001.89.233



Image may be similar

Drive Type:	Knurl
Finish:	Nickel-Plated, 3 µm, E1E
Head Diameter [mm]:	8
Head Height [mm]:	4
Head Shape:	Cheese Head
Knurling:	Diamond Knurl
Length [mm]:	8.5
Material:	Brass CW614N / CuZn39Pb3
Material Group:	Brass
Reduced Shank Length [mm]:	4
Thread Size:	M2.5
Weight:	2.68g
Conformities:	



You can find all information on the web on our article detail page

[Knurled Thumb Screw M2.5x8.5 Brass Diamond Knurl](#)

Would you like individual advice?

We look forward to your email to products@ettinger.de.

Subject to change and errors.