

Article datasheet

**SMT Fuse Clip 20A max. Mini Automotive Brass tin plate/reel with 1.000 pcs**

Article-No.: 015.03.565

Manufacturer: Keystone Electronics

Manufacturer article-no.: 3569TR

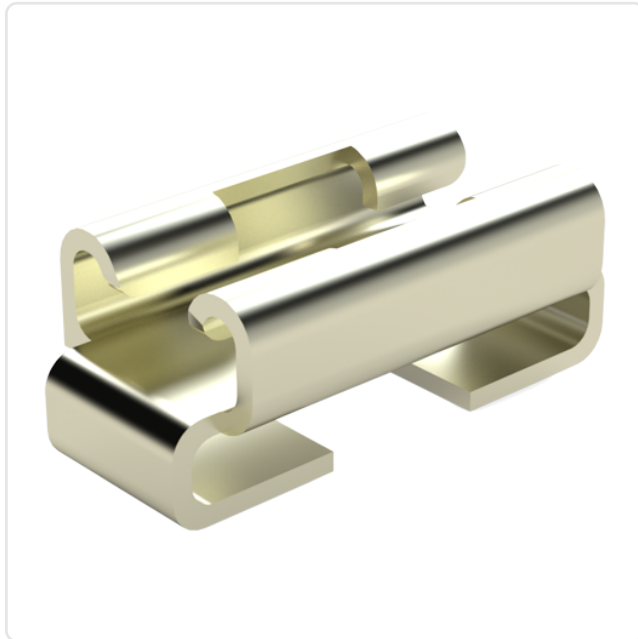


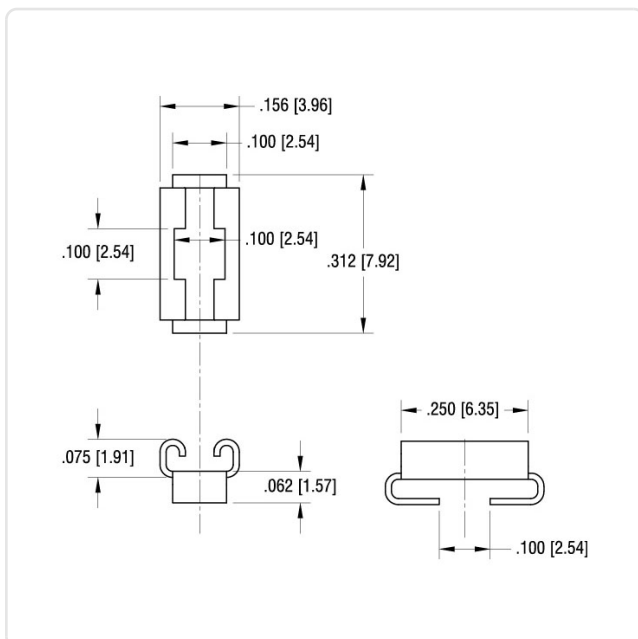
Image may be similar

Amperage [A]: 20  
 Finish: Tin-Plated  
 Fuse Size [mm]: 2.8x0.8  
 Material: Brass  
 Material Group: Brass  
 Model: Fuse Holder  
 Conformities:



You can find all information on the web on our article detail page

[SMT Fuse Clip 20A max. Mini Automotive Brass tin plate/reel with 1.000 pcs](#)



Would you like individual advice?

We look forward to your email to [products@ettinger.de](mailto:products@ettinger.de).

Subject to change and errors.