

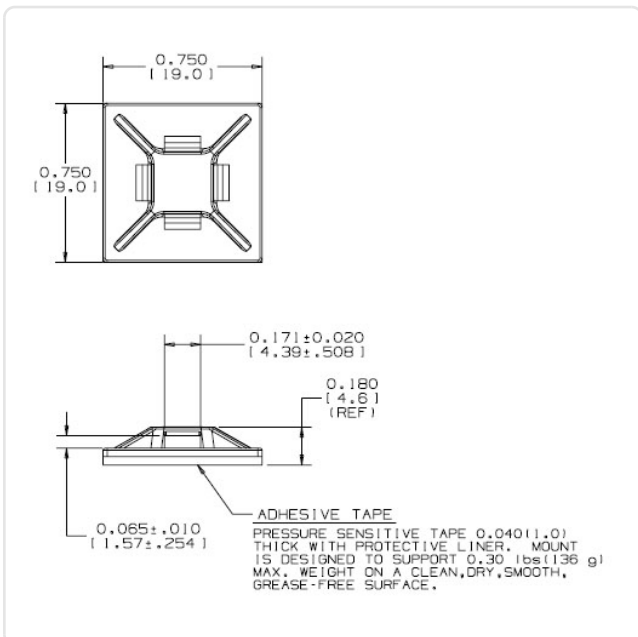
Article datasheet

Flat Tie Holder

Article-No.: 072.59.148



Image may be similar



Cable Tie Width max. [mm]:	4.0
Color:	Black
Height [mm]:	4.6
Length [mm]:	19.1
Material:	ABS - Acrylonitrile Butadiene Styrene
Material Group:	Plastic
Model:	Fastening Plate, Self-Adhesive
Width [mm]:	19.1
Weight:	0.61g
Conformities:	<div style="display: flex; gap: 10px;"> <div style="border: 1px solid green; padding: 2px; text-align: center; color: green;">Reach COMPLIANT ✓</div> <div style="border: 1px solid green; padding: 2px; text-align: center; color: green;">RoHS COMPLIANT ✓</div> <div style="border: 1px solid green; padding: 2px; text-align: center; color: green;">SVHC COMPLIANT ✓</div> </div>



You can find all information on the web on our article detail page

[Flat Tie Holder](#)

Would you like individual advice?

We look forward to your email to products@ettinger.de.

Subject to change and errors.