

Article datasheet

Spiral Wrap Ø3.0 | 1.5-7.0 PE natural | 50m reel

Article-No.: 014.75.311

Manufacturer: SES-Sterling

Manufacturer article-no.: 0819 0007 001



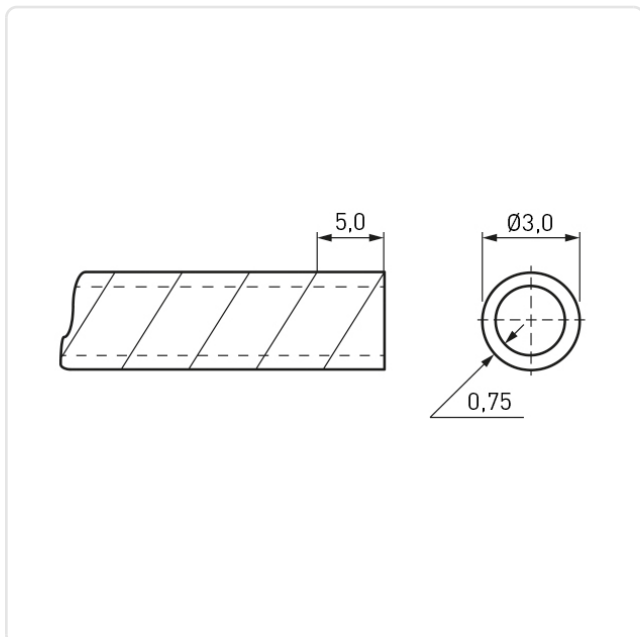
Image may be similar

Bundle Diameter [mm]: 1,5-7,0
 Color: Natural
 Flammability Class: UL94-V2
 Material: PE - Polyethylene
 Material Group: Plastic
 Outer Diameter [mm]: 3
 Reel Length [m]: 50
 Temperature Range [°C]: -50 °C to +75 °C
 Wall Thickness [mm]: 0.75
 Weight: 231g
 Conformities:



You can find all information on the web on our article detail page

[Spiral Wrap Ø3.0 | 1.5-7.0 PE natural | 50m reel](#)



Would you like individual advice?

We look forward to your email to products@ettinger.de.

Subject to change and errors.