

Article datasheet

Soldering tag $\varnothing 4.3/7.0 \times 46.5$ mm Brass tinned 0.5mm thick

Article-No.: 019.05.145

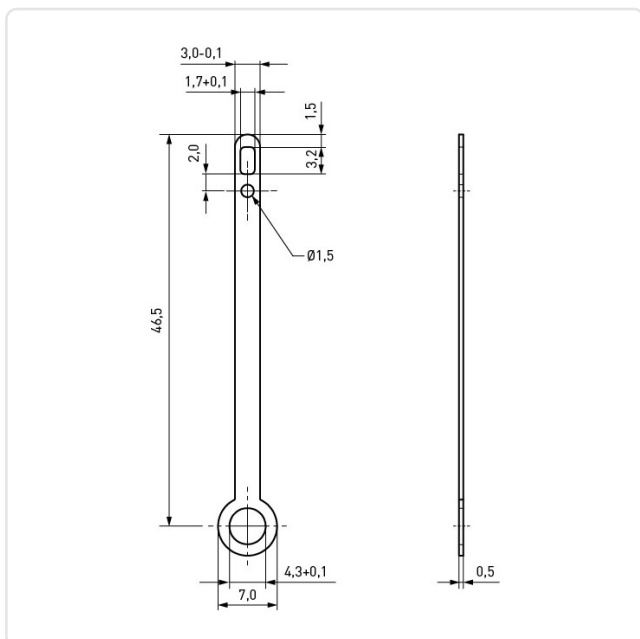


Image may be similar

Finish:	Tin-Plated
Inner Diameter [mm]:	4.3
Length [mm]:	46.5
Material:	Brass CW508L / CuZn37, lead-free
Material Group:	Brass
Outer Diameter [mm]:	7
Weight:	0.61g
Conformities:	<div style="display: flex; gap: 10px;"> <div style="border: 1px solid green; padding: 2px; font-size: 8px;">SVHC COMPLIANT</div> <div style="border: 1px solid green; padding: 2px; font-size: 8px;">Reach COMPLIANT</div> <div style="border: 1px solid green; padding: 2px; font-size: 8px;">RoHS COMPLIANT</div> </div>



You can find all information on the web on our article detail page
[Soldering tag \$\varnothing 4.3/7.0 \times 46.5\$ mm Brass tinned 0.5mm thick](#)



Would you like individual advice?

We look forward to your email to products@ettinger.de.

Subject to change and errors.