

Article datasheet

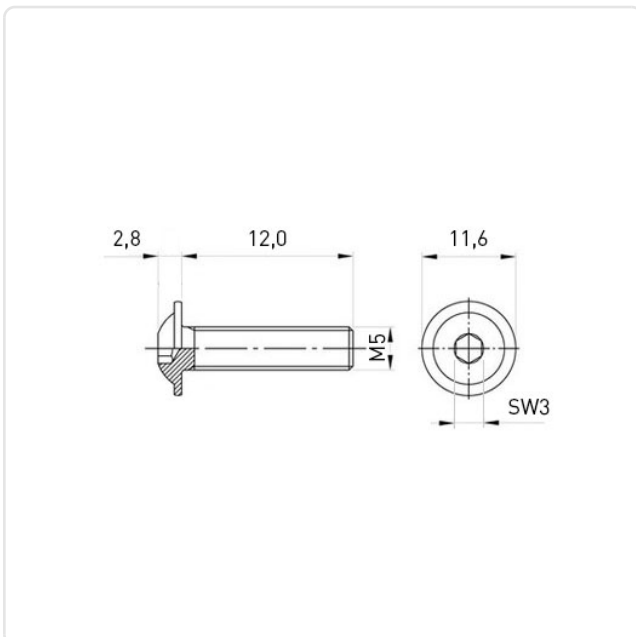
Collar Button Head Screw ISO7380-2 M5x12 Steel 10.9 Zinc Plated Hexagon

Article-No.: 001.66.551



Image may be similar

Actuator Size:	Hexagon Socket Hex3
DIN/ISO:	ISO7380-2
Drive Type:	Hexagon Socket
Finish:	Galvanized, Blue, 5 µm, A2K
Head Diameter [mm]:	11.8
Head Height [mm]:	2.75
Head Shape:	Button Head with Collar
Length [mm]:	12
Material:	Steel 10.9
Material Group:	Stahl
Thread Size:	M5
Weight:	0.97g
Conformities:	



You can find all information on the web on our article detail page

[Collar Button Head Screw ISO7380-2 M5x12 Steel 10.9 Zinc Plated Hexagon](#)

Would you like individual advice?

We look forward to your email to products@ettinger.de.

Subject to change and errors.