

Article datasheet

Countersunk Screw ISO7047 M2.5x6 A2 Plain Stainless Steel Cross Recessed

Article-No.: 001.12.222

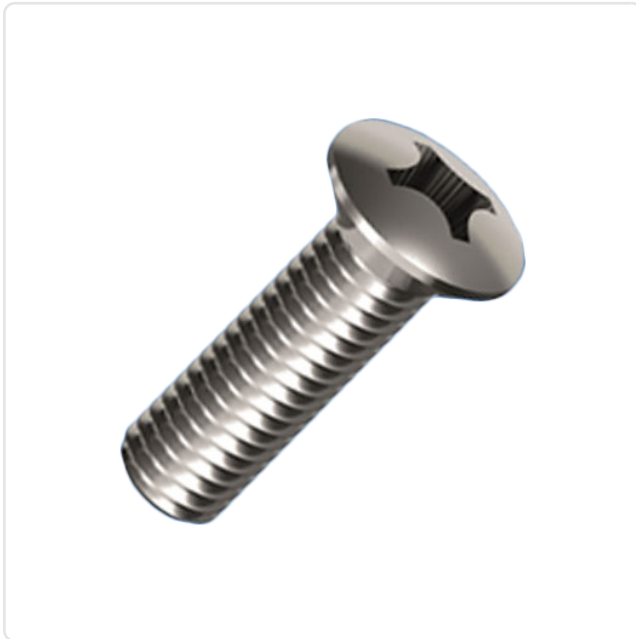
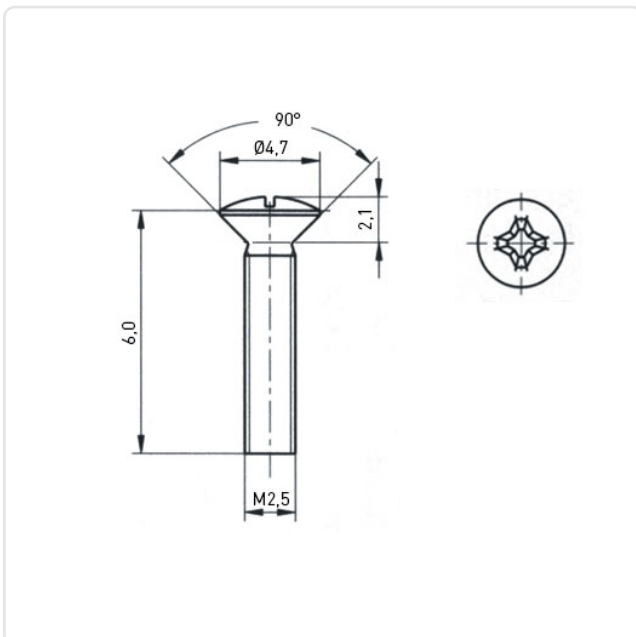


Image may be similar

| | |
|---------------------|-------------------------------|
| Actuator Size: | Phillips PH1 |
| DIN/ISO: | ISO7047 |
| Drive Type: | Cross Recess / Phillips-H |
| Finish: | Plain |
| Head Diameter [mm]: | 4.7 |
| Head Height [mm]: | 1.5 |
| Head Shape: | Countersunk Head |
| Length [mm]: | 6 |
| Material: | Stainless Steel AISI 304 / A2 |
| Material Group: | Stahl rostfrei |
| Thread Size: | M2.5 |
| Weight: | 0.3g |
| Conformities: | |



You can find all information on the web on our article detail page

[Countersunk Screw ISO7047 M2.5x6 A2 Plain Stainless Steel Cross Recessed](#)

Would you like individual advice?

We look forward to your email to products@ettinger.de.

Subject to change and errors.