

Article datasheet

PC Automotive Fuse Clip 15A/500VAC Brass,tinned/2.8x0.8mm terminals

Article-No.: 015.06.084

Manufacturer: Keystone Electronics

Manufacturer article-no.: 3549



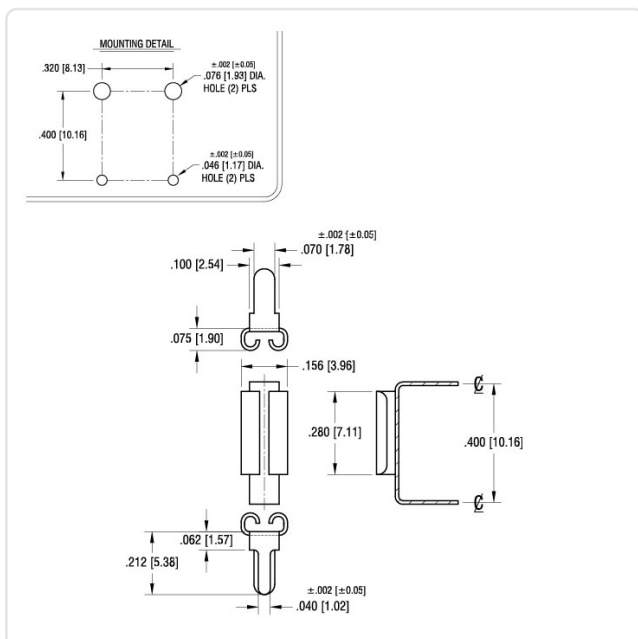
Image may be similar

Amperage [A]: 15
 Fuse Size [mm]: 2.8x0.8
 Material: Brass
 Material Group: Brass
 Model: Clip Holder
 Mounting Hole [mm]: 1.93
 Weight: 0.22g
 Conformities:



You can find all information on the web on our article detail page

[PC Automotive Fuse Clip 15A/500VAC Brass,tinned/2.8x0.8mm terminals](#)



Would you like individual advice?

We look forward to your email to products@ettinger.de.

Subject to change and errors.