

Article datasheet

Flanged Bearing $\varnothing 6/10/15 \times 8.5$ -2mm Polyamid 6.6 natural UL94-V2

Article-No.: 005.99.069

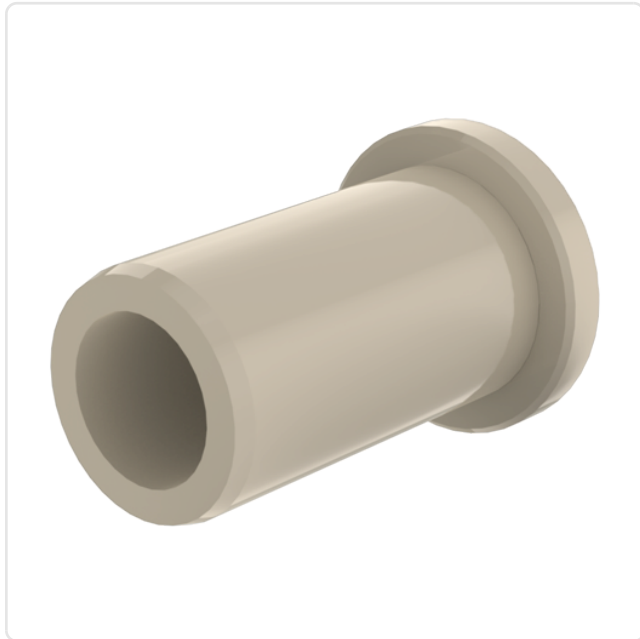


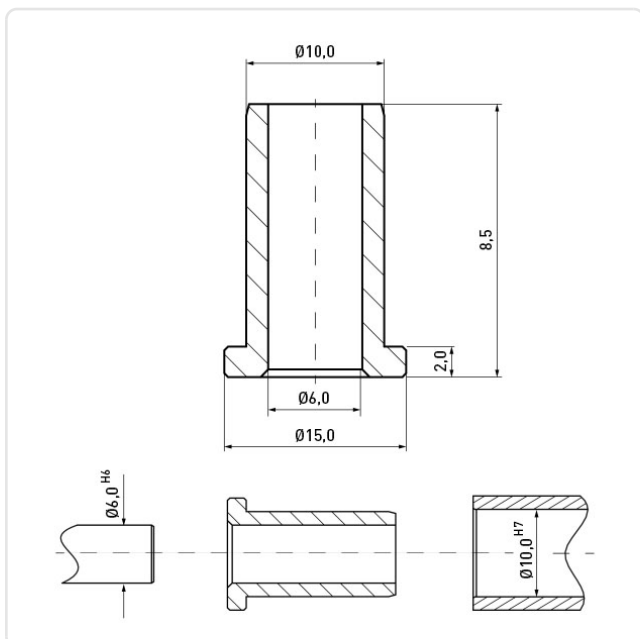
Image may be similar

Color: Natural
 Flammability Class: UL94-V2
 Inner Diameter [mm]: 6
 Length [mm]: 8.5
 Lug Diameter [mm]: 10
 Material: PA 6.6
 Material Group: Plastic
 Model: With High Lug
 Outer Diameter [mm]: 15
 Weight: 0.69g
 Conformities:



You can find all information on the web on our article detail page

[Flanged Bearing \$\varnothing 6/10/15 \times 8.5\$ -2mm Polyamid 6.6 natural UL94-V2](#)



Would you like individual advice?

We look forward to your email to products@ettinger.de.

Subject to change and errors.