

Article datasheet

Curved Cap for Collet Knobs / mat finish with line

Article-No.: 041.20.108

Manufacturer: OKW Gehäusesysteme

Manufacturer article-no.: A41.20.108

OKW
GEHÄUSE
SYSTEME

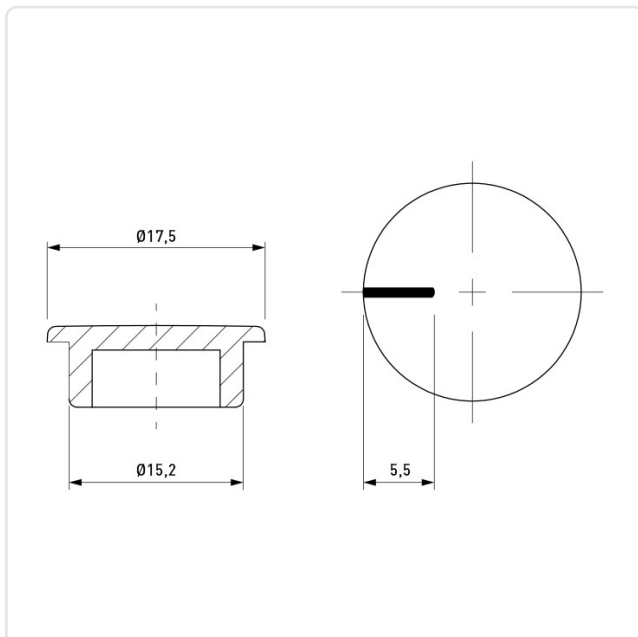


Image may be similar

Color: Gray
 Marking: Line
 Material: ABS - Acrylonitrile Butadiene Styrene
 Material Group: Plastic
 Model: Cap for Combination Knob
 Outer Diameter [mm]: 17.5
 Weight: 0.37g
 Conformities:



You can find all information on the web on our article detail page [Curved Cap for Collet Knobs / mat finish with line](#)



Would you like individual advice?

We look forward to your email to products@ettinger.de.

Subject to change and errors.