

Article datasheet

**Spiral Wrap Ø4.8 | 3.2-9.5 PE natural | 30m reel**

Article-No.: 014.75.221



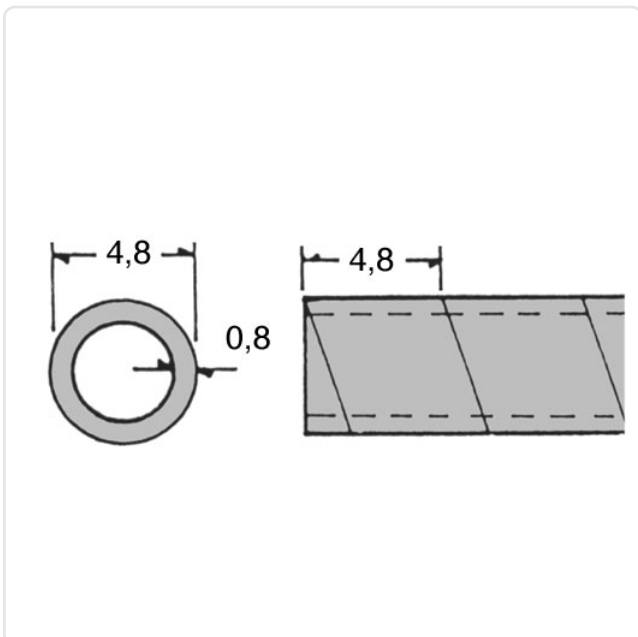
Image may be similar

Bundle Diameter [mm]: 3,2-9,5  
 Color: Natural  
 Flammability Class: UL94-V0  
 Material: PE - Polyethylene  
 Material Group: Plastic  
 Outer Diameter [mm]: 4.8  
 Reel Length [m]: 30  
 Temperature Range [°C]: -60 °C to +88 °C  
 Wall Thickness [mm]: 0,8  
 Weight: 411g  
 Conformities:



You can find all information on the web on our article detail page

[Spiral Wrap Ø4.8 | 3.2-9.5 PE natural | 30m reel](#)



Would you like individual advice?

We look forward to your email to [products@ettinger.de](mailto:products@ettinger.de).

Subject to change and errors.