

Article datasheet

Circuit Board Puller 38x22mm 1.6mm Polyamid 6.6 natural UL94-V2 E70062

Article-No.: 075.92.321



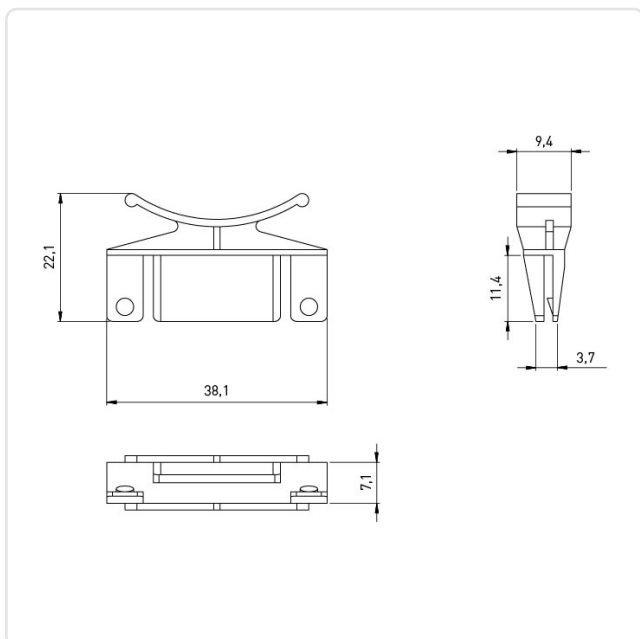
Image may be similar

Color: Natural
 Dist. Mounting Holes [mm]: 31.8
 Flammability Class: UL94-V2
 Material: PA 6.0
 Material Group: Plastic
 Width [mm]: 9.4
 Weight: 1.64g
 Conformities:



You can find all information on the web on our article detail page

[Circuit Board Puller 38x22mm 1.6mm Polyamid 6.6 natural UL94-V2 E70062](#)



Would you like individual advice?

We look forward to your email to products@ettinger.de.

Subject to change and errors.