

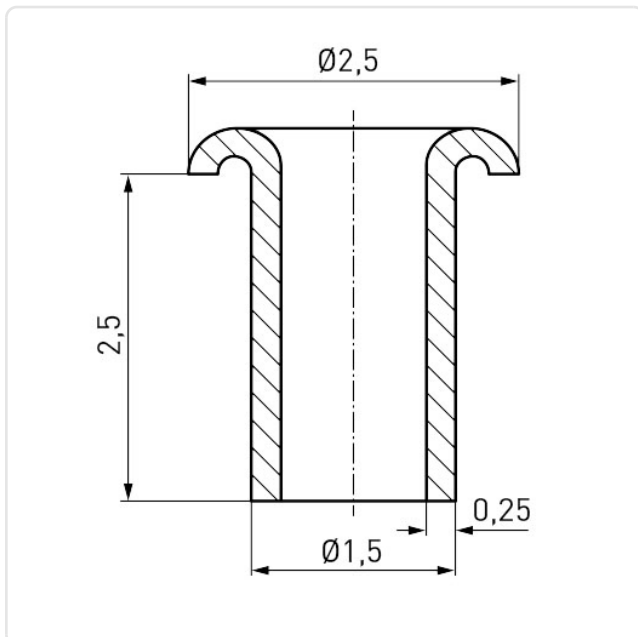
Article datasheet




Tubular Rivet DIN7340 B 1.5x0.25x2.5 Silver-Plated Brass

Article-No.: 019.89.029



Image may be similar



DIN/ISO:	DIN7340B
Finish:	Silver-Plated
Head Diameter [mm]:	2.5
Length [mm]:	2.5
Material:	Brass CW508L / CuZn37, lead-free
Material Group:	Brass
Rivet Diameter [mm]:	1.5
Wall Thickness [mm]:	0.25
Weight:	0.03g
Conformities:	  



You can find all information on the web on our article detail page

[Tubular Rivet DIN7340 B 1.5x0.25x2.5 Silver-Plated Brass](#)

Would you like individual advice?

We look forward to your email to products@ettinger.de.

Subject to change and errors.