

Article datasheet

## UNC Bolt UNC4-40 x 6.4 Galvanized Steel 4.8 Slotted Pan Head

Article-No.: 001.65.421

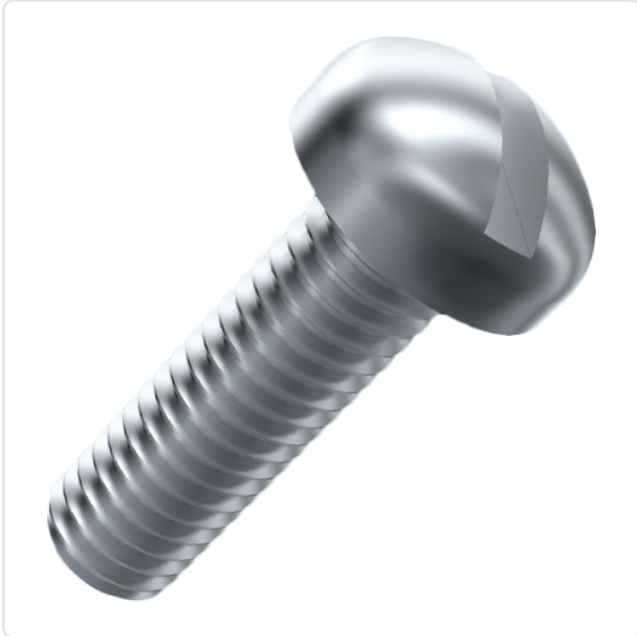


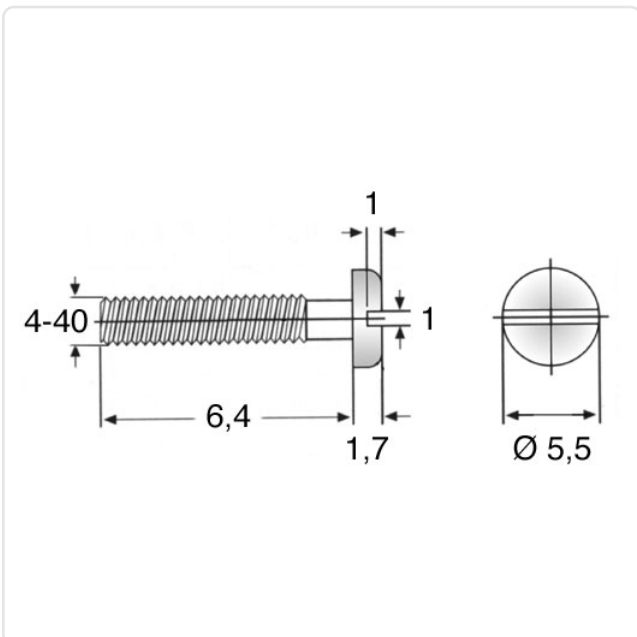
Image may be similar

Drive Type:	Slotted
Finish:	Galvanized, Blue, 5 µm, A2K
Head Diameter [mm]:	5.4
Head Height [mm]:	1.9
Head Shape:	Pan Head
Length [mm]:	6.4
Material:	Steel 4.8, lead-free
Material Group:	Steel
Thread Size:	UNC4-40
Weight:	0.43g
Conformities:	<div style="display: flex; gap: 10px;"> <div style="border: 1px solid black; padding: 2px; text-align: center;">SVHC COMPLIANT</div> <div style="border: 1px solid black; padding: 2px; text-align: center;">Reach COMPLIANT</div> <div style="border: 1px solid black; padding: 2px; text-align: center;">RoHS COMPLIANT</div> </div>



You can find all information on the web on our article detail page

[UNC Bolt UNC4-40 x 6.4 Galvanized Steel 4.8 Slotted Pan Head](#)



Would you like individual advice?

We look forward to your email to [products@ettinger.de](mailto:products@ettinger.de).

Subject to change and errors.