

Article datasheet

Solder Terminal Lug $\varnothing 8.4/13 \times 21$ mm Brass silver-plated

Article-No.: 019.05.089

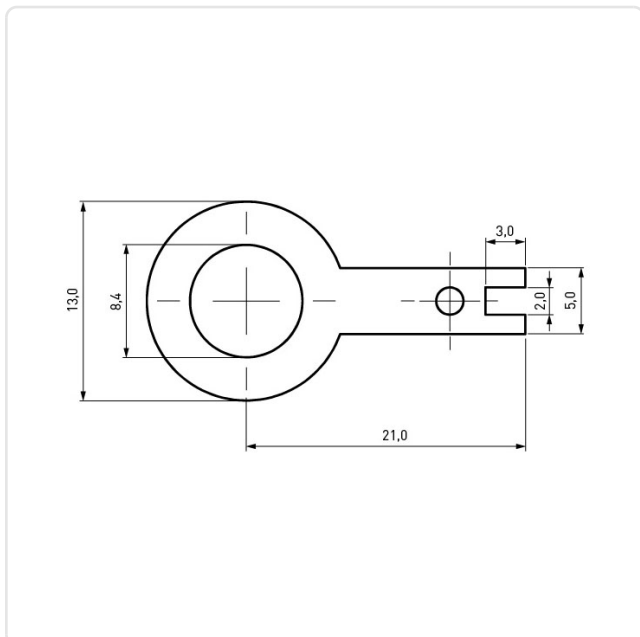


Image may be similar

Finish:	Silver-Plated
Inner Diameter [mm]:	8.4
Length [mm]:	21
Material:	Brass CW508L / CuZn37, lead-free
Material Group:	Brass
Outer Diameter [mm]:	13
Weight:	0.94g
Conformities:	<div style="display: flex; gap: 10px;"> <div style="border: 1px solid green; padding: 2px; text-align: center; color: green;">SVHC COMPLIANT</div> <div style="border: 1px solid green; padding: 2px; text-align: center; color: green;">Reach COMPLIANT</div> <div style="border: 1px solid green; padding: 2px; text-align: center; color: green;">RoHS COMPLIANT</div> </div>



You can find all information on the web on our article detail page
[Solder Terminal Lug \$\varnothing 8.4/13 \times 21\$ mm Brass silver-plated](#)



Would you like individual advice?

We look forward to your email to products@ettinger.de.

Subject to change and errors.