

Article datasheet

## Straight-Thru Strain Relief Bushing for Round Cables

Article-No.: 014.04.190



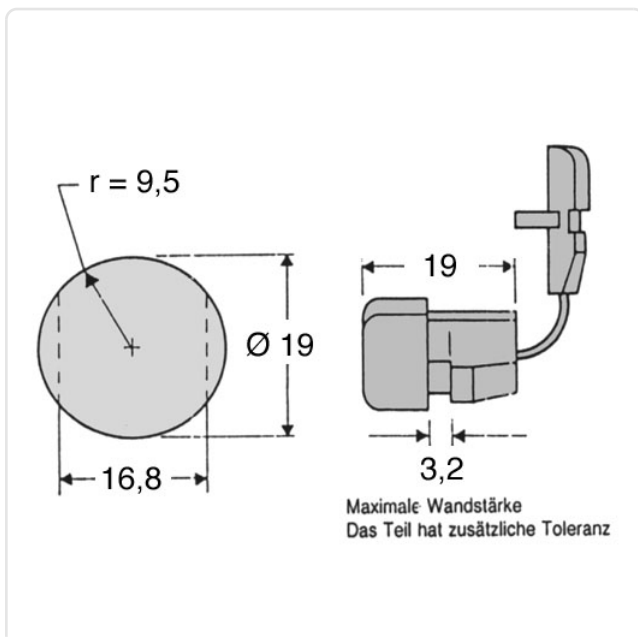
Image may be similar

Cable diameter [mm]: Ø 7,6-11  
 Color: Black  
 Material: PA 6.6  
 Material Group: Plastic  
 Max. Panel Thickness [mm]: 3.2  
 Mounting Hole [mm]: 19  
 Panel Thickness Range [mm]: 9,1-10,9mm  
 Weight: 3.48g  
 Conformities:



You can find all information on the web on our article detail page

[Straight-Thru Strain Relief Bushing for Round Cables](#)



Would you like individual advice?

We look forward to your email to [products@ettinger.de](mailto:products@ettinger.de).

Subject to change and errors.