

Article datasheet

Clamping Bracket Type E M6 Nickel-Plated Brass

Article-No.: 003.32.603

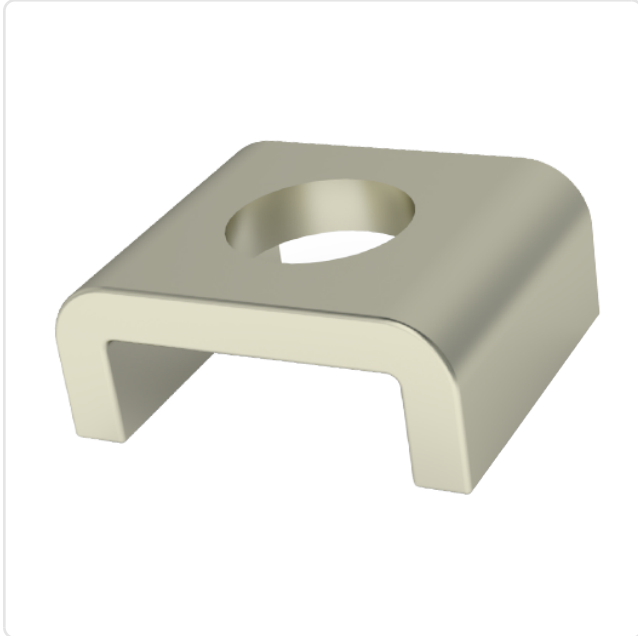
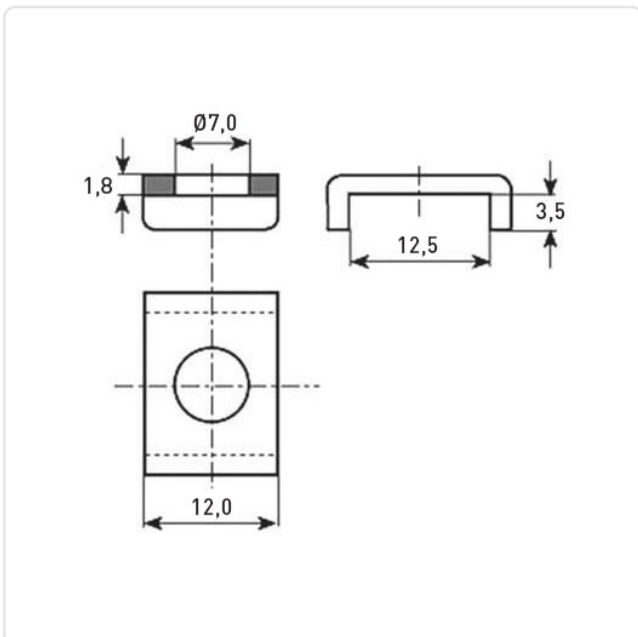


Image may be similar

Finish: Nickel-Plated, 3 µm, E1E
For Thread Size: M6
Height [mm]: 1.8
Inner Diameter [mm]: 7
Material: Brass
Material Group: Brass
Weight: 2.96g
Conformities:



You can find all information on the web on our article detail page [Clamping Bracket Type E M6 Nickel-Plated Brass](#)



Would you like individual advice?

We look forward to your email to products@ettinger.de.

Subject to change and errors.