

Article datasheet

Screw-On Bumper Ø20.0x10.0 PVC white

Article-No.: 017.54.209



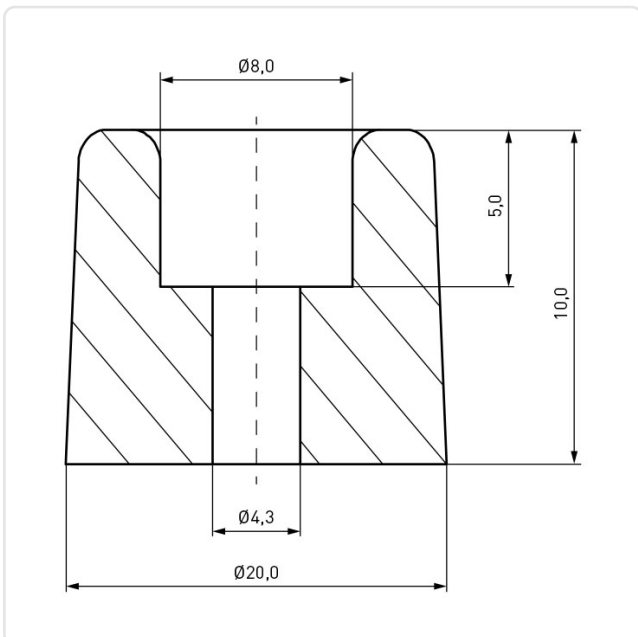
Image may be similar

Bumper Design:	Round, Tapered
Color:	White
Diameter [mm]:	20
Height [mm]:	10
Material:	PVC - Polyvinyl Chloride
Material Group:	Plastic
Mounting Hole [mm]:	4.3
Weight:	2.5g
Conformities:	



You can find all information on the web on our article detail page

[Screw-On Bumper Ø20.0x10.0 PVC white](#)



Would you like individual advice?

We look forward to your email to products@ettinger.de.

Subject to change and errors.